

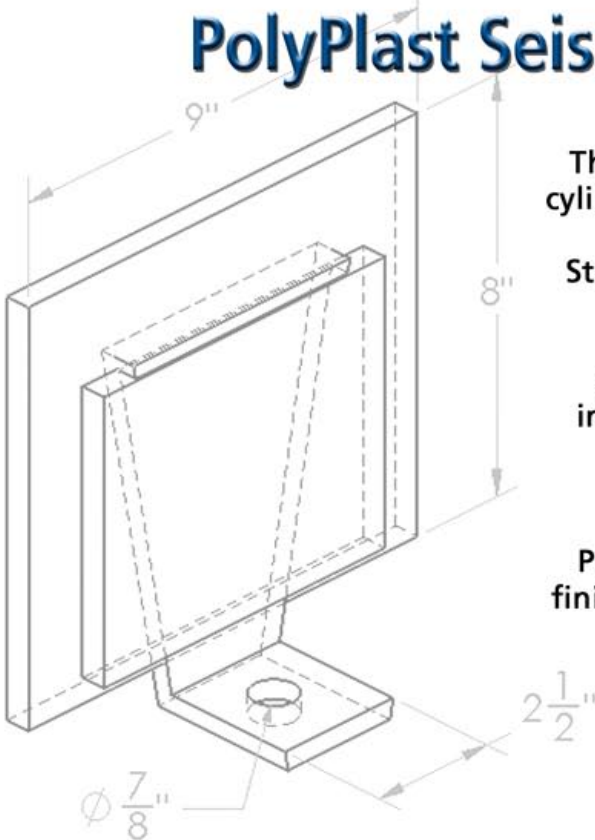


**PEABODY**  
engineering

*No Boundaries.™*

## Value-Pak Accessories

### PolyPlast Seismic Restraint System



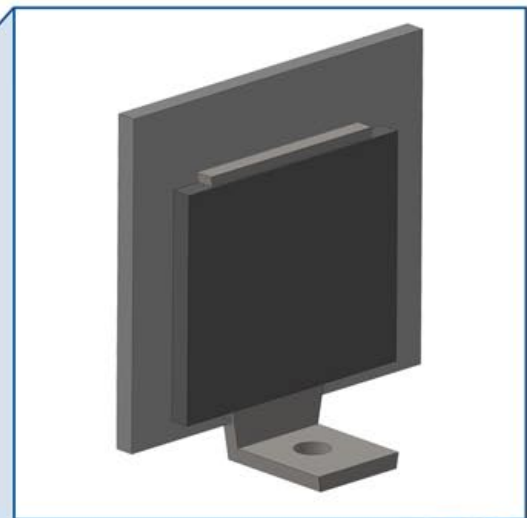
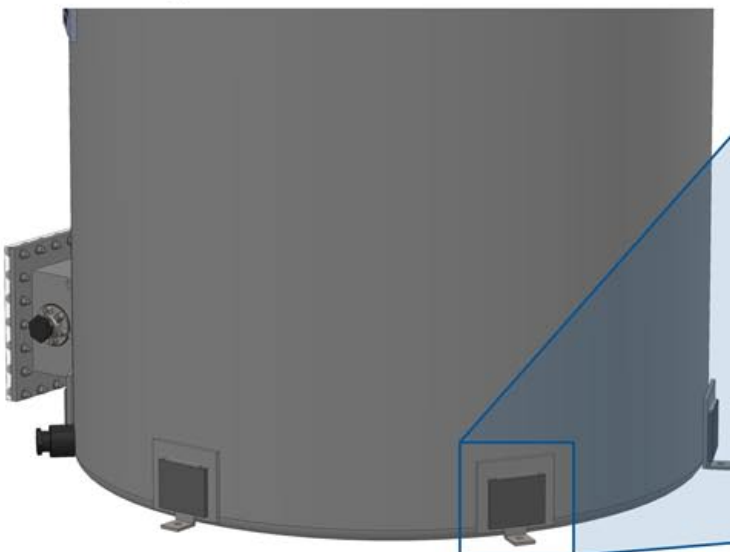
The PolyPlast Restraint System is designed primarily for cylindrical, vertical flat bottomed tanks up to 4000 gallons

Standard PolyPlast Systems are rated up to 1.25 Specific Gravity with an importance factor of 1.0

Seismically rated for tough California seismic zones including Northern and Southern California high zone areas

Have unique parameters?

Peabody Engineering will work with you from start to finish to design a PolyPlast Restraint System to your exact requirements



# PolyPlast Restraint System



PolyPlast Restraint Systems have seismically compliant hold down lugs attached and spaced evenly around the lower tank wall. Designed with welded polyethylene plates, the PolyPlast Restraint System can be added to any of our polyethylene tanks. This system comes installed on the tank, all you have to do is bolt the tank down.

## Benefits of PolyPlast

- ▶ PolyPlast Restraint System is proven to be seismically compliant by industry and certified by registered professional engineers
- ▶ No cables and no posts. In event of seismic activity, PolyPlast won't slice and cut into your tank due to cable tension
- ▶ Installation time is 2/3's less when compared to cable and post systems, meaning overall installed cost with PolyPlast is very competitive

## Standard PolyPlast System

- ▶ Specific Gravity up to 1.25
- ▶ California Seismic Zones including So. Cal and Nor. Cal high zone areas
- ▶ Importance factor of 1.0

*Have different requirements?*  
Peabody Engineering can design a system to any parameters upon request

We offer certified restraint systems for larger tanks and other styles of tanks (cone bottoms, cylindrical horizontals, rectangular tanks, etc) so we can help you with other configurations upon request. Certified zip code specific engineering is available at an additional cost. We also offer House Keeping Pad and Anchor Bolt Calculations at an additional cost. Please call for assistance.

## Number of Recommended Lugs

Tank Capacity (gallons)	# of Lugs Recommended	Lug Design Model
Up to 305	3	P1
500 to 1,100	4	P1
1,500 to 2,100	6	P2
2,500 to 3,000	8	P3
4,000*	10	P3

*\*For tanks larger than 4,000 gallons please call for assistance*

## Pricing Per Seismic Lug\*

Lug Design Model	Powder Coated Steel	Type 304 Stainless Steel	Type 316 Stainless Steel	Polyester Fiberglass
P1	Call	For	Pricing	Coming Soon
P2	Call	For	Pricing	Coming Soon
P3	Call	For	Pricing	Coming Soon

*\*Pricing does not include anchor bolts*

The above information is typical recommendations based on the above parameters. This is an estimate of the cost of the PolyPlast Restraint System. Pricing above is for engineered lugs but does not include engineering documentation. Some applications may require more lugs. Please call for assistance.

13435 Estelle Street Corona, CA 92879

www.etanks.com

ph: 951-734-7711 | fx: 951-734-4111

sales@etanks.com

