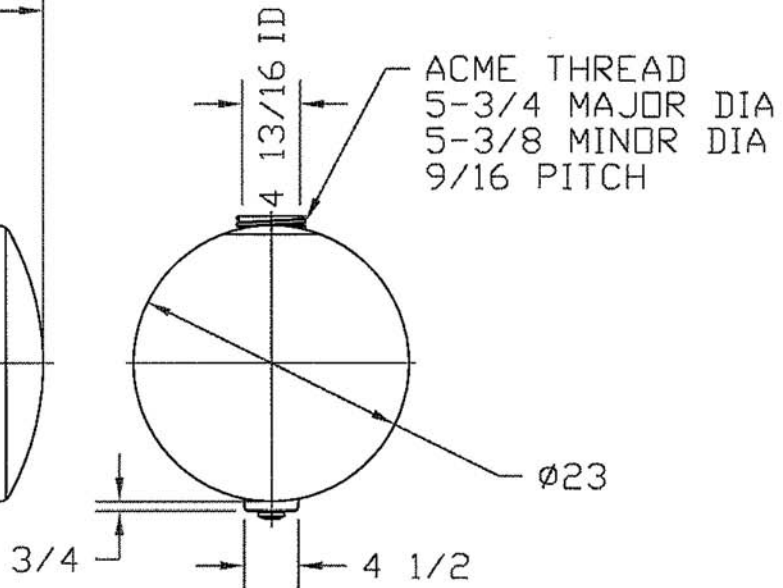
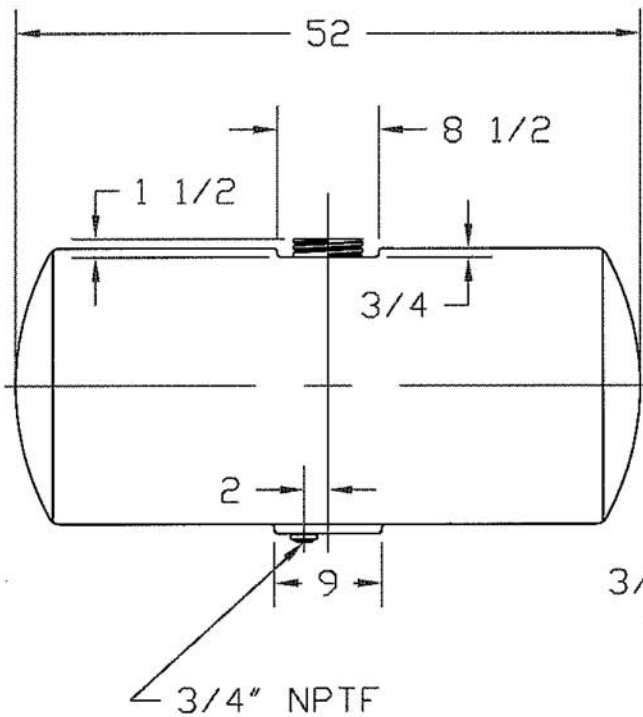



REVISIONS

ZONE	REV	DESCRIPTION	DATE	APPROVED
	A	LID THREAD REVISED	23FEB00	



		 <b>PEABODY</b> engineering			
		<h2>85 GALLON APPLICATOR TANK</h2>			
JTP	200CT97	SIZE A	FSCM NO.	DWG NO.	REV
		SCALE 1/16			SHEET