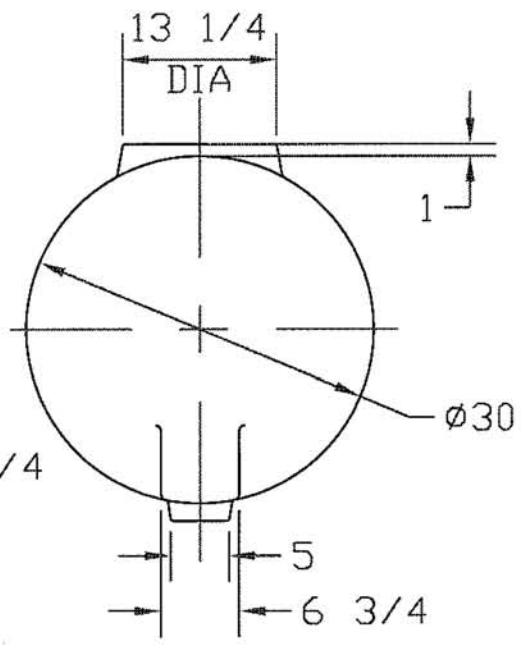
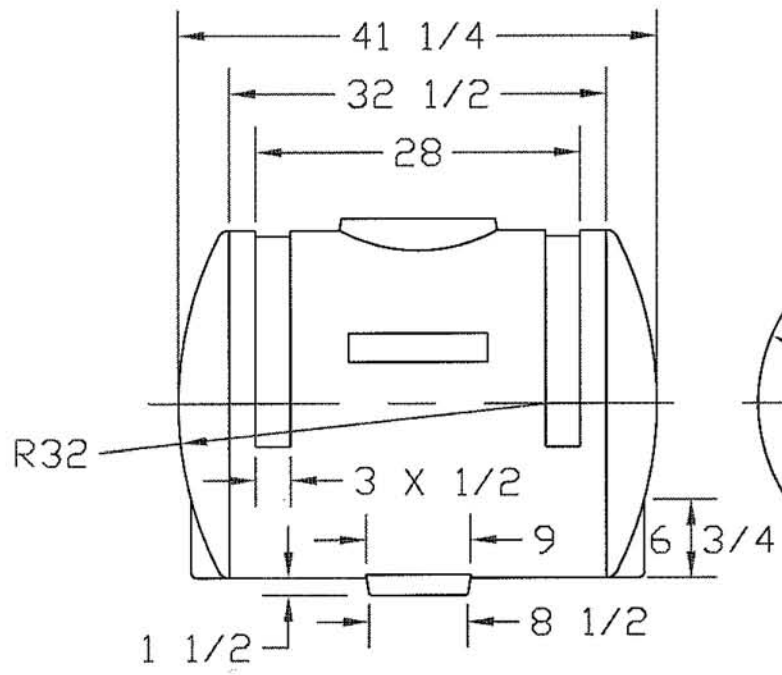
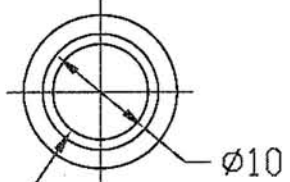



REVISIONS

ZONE	REV	DESCRIPTION	DATE	APPROVED



		 PEABODY engineering			
		110 GALLON APPLICATOR TANK			
JTP	22AUG94	SIZE A	FSCM NO.	DWG NO.	REV
		SCALE 1/16			SHEET