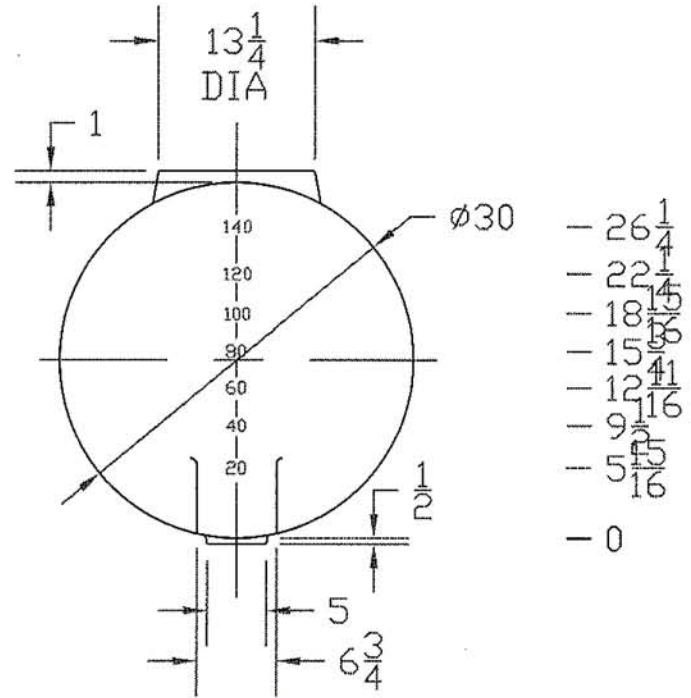
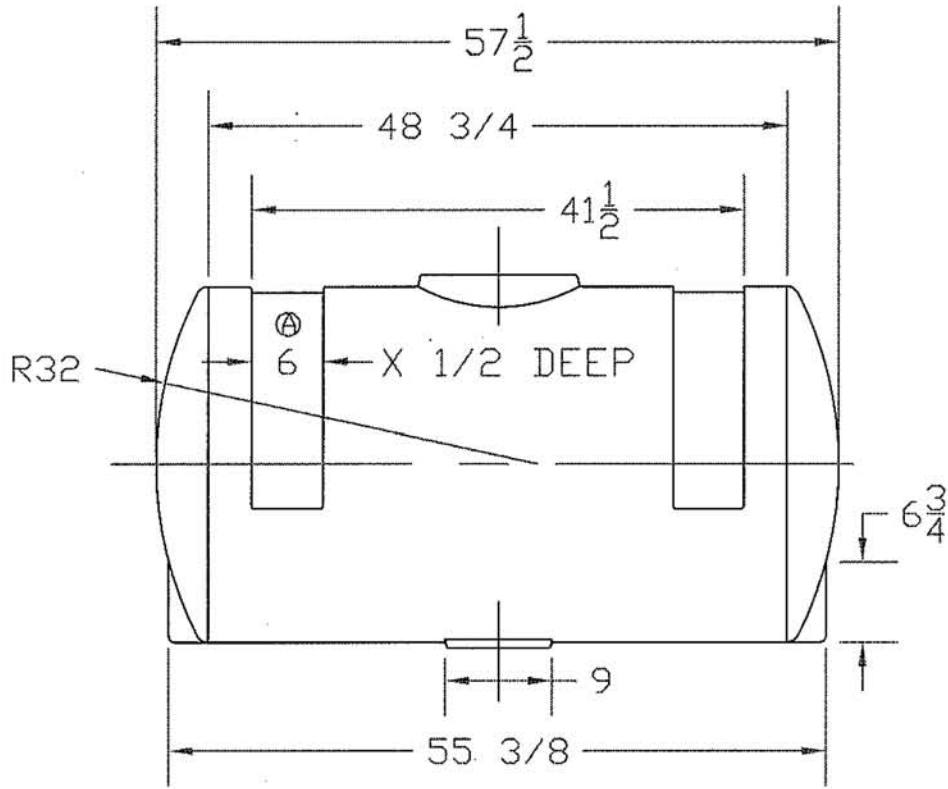


8 1/4 ACME THD,
RH, FOR 60002 LID

REVISIONS				
ZONE	REV	DESCRIPTION	DATE	APPROVED
	A	WAS 3	02SEP04	



		 PEABODY engineering	
<h2>150 GALLON X 30 DIAMETER APPLICATOR TANK</h2>			
JTP	15SEP94	SIZE A	FSCM NO.
		DWG NO.	REV A
		SCALE 1/16	SHEET