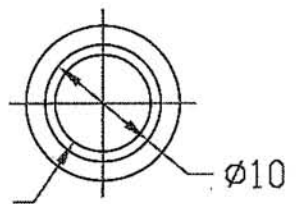
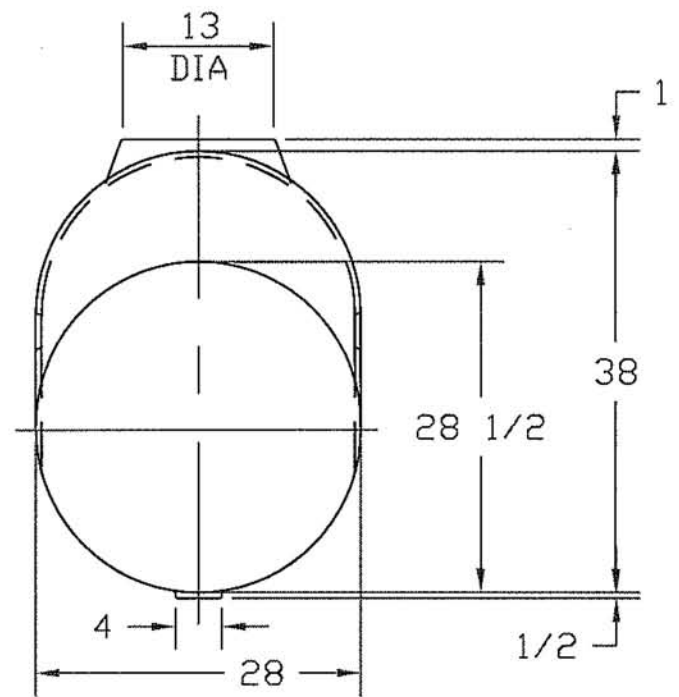
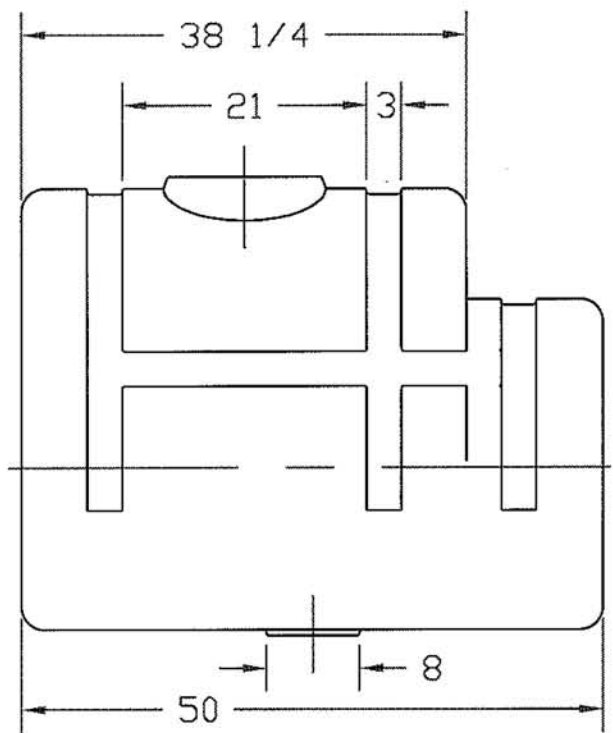


REVISIONS

ZONE	REV	DESCRIPTION	DATE	APPROVED



8 1/4 ACME THD,
RH, FOR 60002 LID



		 PEABODY engineering			
		<h1>150 GALLON SLIM-LINE APPLICATOR TANK</h1>			
JTP	16APR96	SIZE A	FSCM NO.	DWG NO.	REV
		SCALE 1/16			SHEET