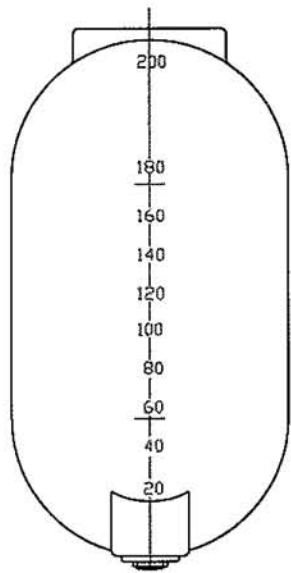
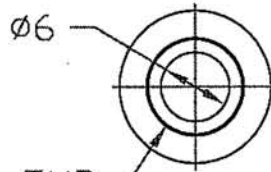
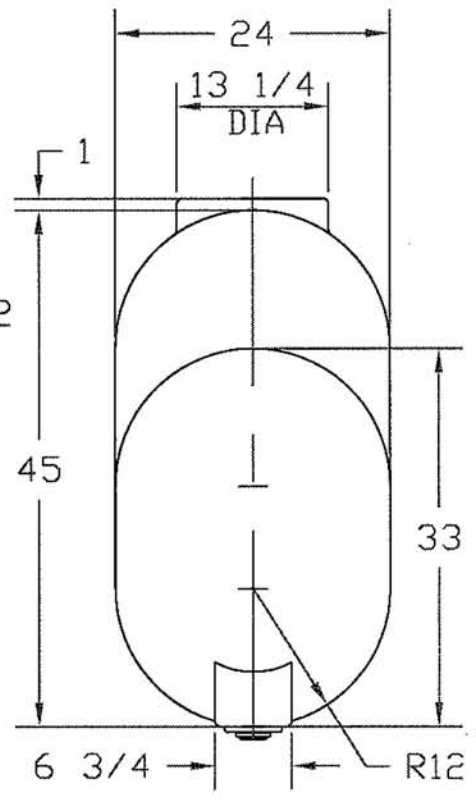
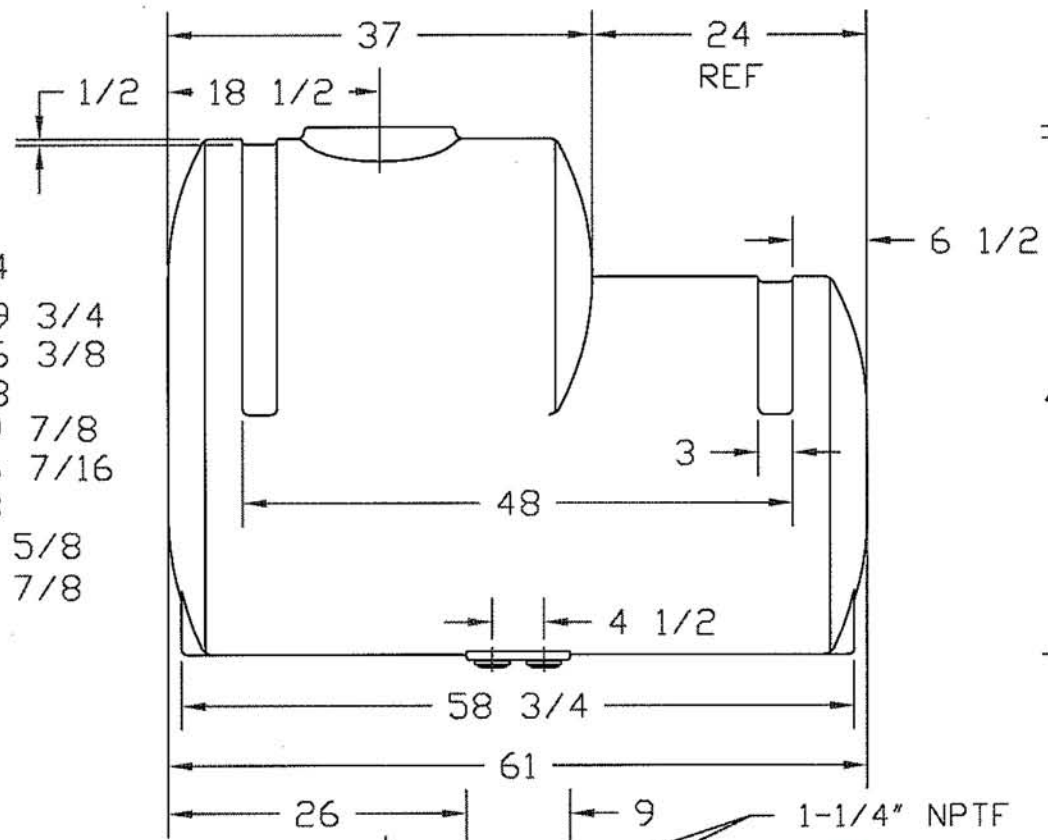


REVISIONS

ZONE	REV	DESCRIPTION	DATE	APPROVED
	B	REDRAWN	23SEP97	



- 34
- 29 3/4
- 26 3/8
- 23
- 19 7/8
- 16 7/16
- 13
- 9 5/8
- 5 7/8
- 0



200 GALLON X 24
SLIMLINE APPLICATOR TANK

D	FITTINGS UPDATED	09DEC02	JTP	23SEP97	SIZE A	FSCM NO.	DWG NO.	REV D
REV	DESCRIPTION	DATE						

REVISIONS

SCALE 1/16

SHEET