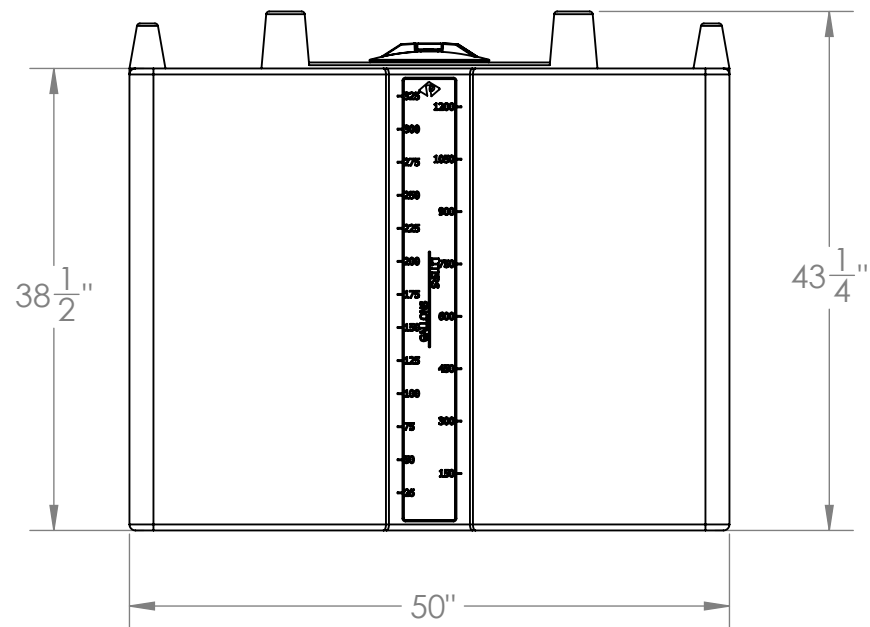
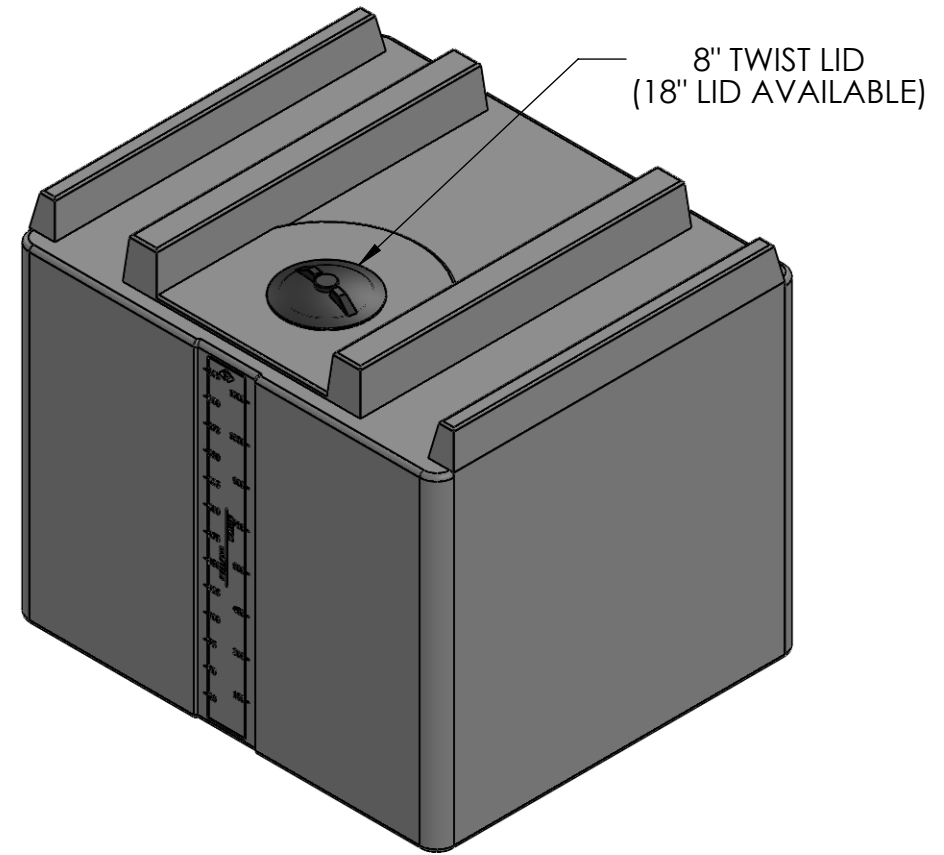


**PLAN VIEW**



**ELEVATION VIEW**



**ISOMETRIC VIEW**

**NOTES:**

1. CAPACITY: 330 GAL. NOMINAL
2. APPROXIMATE WEIGHT: 108.13 LBS
3. TANK MATERIAL: HDPE W/ UV INHIBITOR
4. SERVICE PRESSURE: ATMOSPHERIC

**PROPRIETARY AND CONFIDENTIAL**  
 THE INFORMATION CONTAINED IN THIS DRAWING IS THE SOLE PROPERTY OF PEABODY ENGINEERING. ANY REPRODUCTION IN PART OR AS A WHOLE WITHOUT THE WRITTEN PERMISSION OF PEABODY ENGINEERING IS PROHIBITED.

UNLESS OTHERWISE SPECIFIED: DIMENSIONS ARE IN INCHES TOLERANCES: ±1/4" FRACTIONAL ±.5° ONE PLACE DECIMAL ± TWO PLACE DECIMAL ± THREE PLACE DECIMAL ±		NAME	DATE			
TANK MATERIAL: <b>HDPE</b>	DRAWN	<b>MSM</b>	<b>9/20/13</b>			
INNER TANK S/N:	CHECKED					
OUTER TANK S/N:	ENG APPR.					
CUSTOMER PO#	MFG APPR.					
DO NOT SCALE DRAWING	Q.A.					
		COMMENTS:		PROJECT: <b>330 GALLON RECTANGULAR TANK</b>		
				CUSTOMER: <b>PEABODY STANDARD</b>		
				SITE/LOCATION:		
				DRAWING#: <b>01-30437</b>		
				SIZE	DESC.	REV.
				<b>B</b>		<b>F</b>
				SCALE: 1:16		SHEET 1 OF 1