

8

7

6

5

4

3

2

1

D

D

C

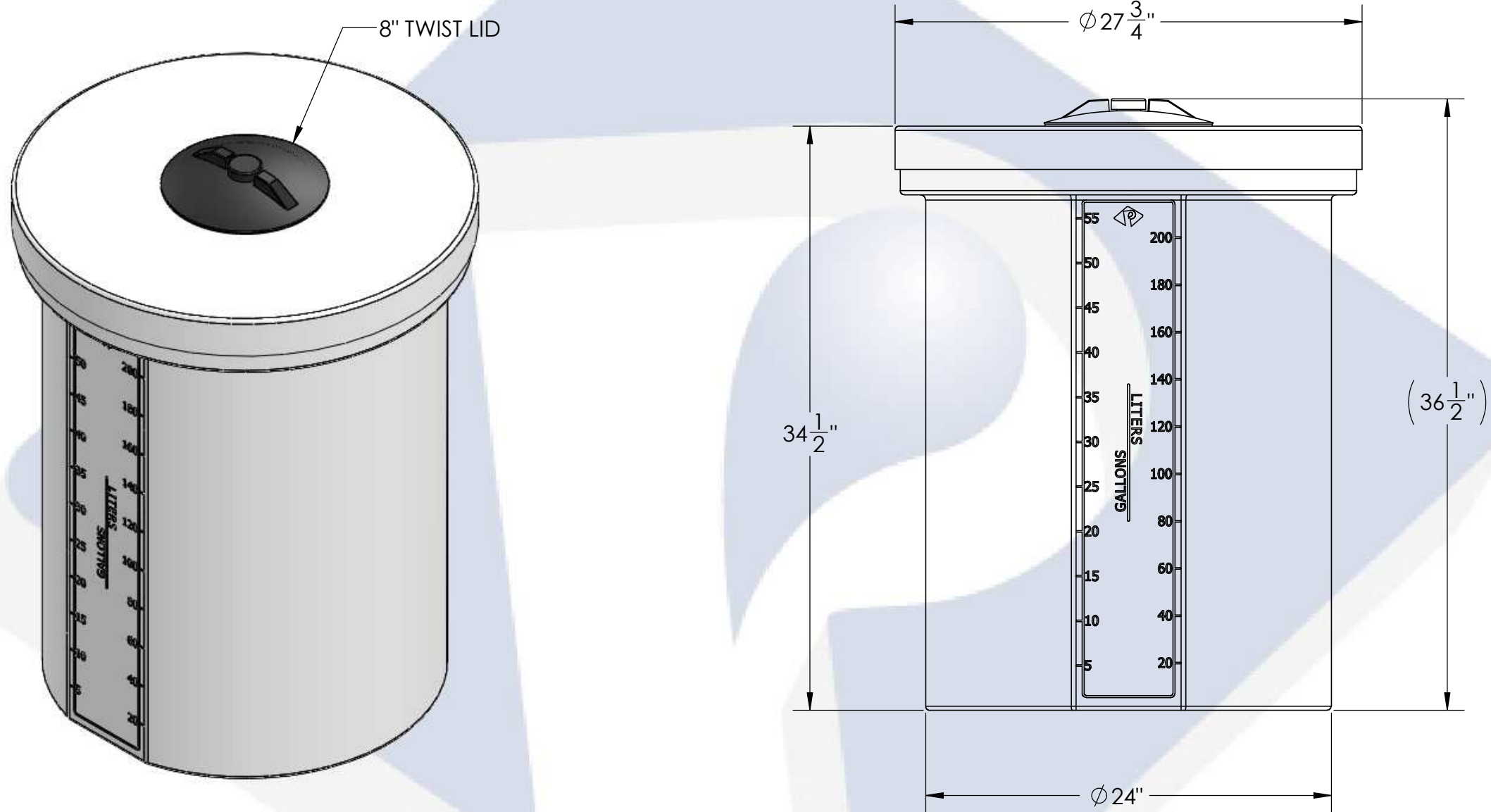
C

B

B

A

A



8" TWIST LID

$\phi 27 \frac{3}{4}$ "

$34 \frac{1}{2}$ "

$(36 \frac{1}{2})$ "

$\phi 24$ "

NOTES:

- 1. CAPACITY: 55 GAL. NOMINAL
- 2. APPROXIMATE WEIGHT: 32 LBS
- 3. TANK MATERIAL: HDLPE W/ UV INHIBITOR
- 4. SERVICE PRESSURE: ATMOSPHERIC

PROPRIETARY AND CONFIDENTIAL
 THE INFORMATION CONTAINED IN THIS DRAWING IS THE SOLE PROPERTY OF PEABODY ENGINEERING. ANY REPRODUCTION IN PART OR AS A WHOLE WITHOUT THE WRITTEN PERMISSION OF PEABODY ENGINEERING IS PROHIBITED.

UNLESS OTHERWISE SPECIFIED:		NAME	DATE	
DIMENSIONS ARE IN INCHES TOLERANCES: $\pm 1/4$ " ANGULAR: $\pm .5^\circ$ ONE PLACE DECIMAL: $\pm .25$ TWO PLACE DECIMAL: $\pm .125$ THREE PLACE DECIMAL: $\pm .063$		DRAWN	4/23/14	
TANK MATERIAL:	HDPE	CHECKED		PROJECT: 55 GALLON CLOSED TOP TANK ASSEMBLY
INNER TANK S/N:		ENG APPR.		CUSTOMER: PEABODY STANDARD
OUTER TANK S/N:		MFG APPR.		SITE/LOCATION: -
CUSTOMER PO#		Q.A.		DRAWING#: 01-30357 (NATURAL)
DO NOT SCALE DRAWING		ALTERNATIVE VERSIONS		SIZE: B
		MATERIALS: XLPE, PPL, PVDF		DESC.: PEABODY 55 GALLON CLOSED TOP
		COLORS: NATURAL, BLUE OR BLACK		REV.: A
		AVAILABLE WITH FRP WRAP		SCALE: 1:8
				SHEET 1 OF 1