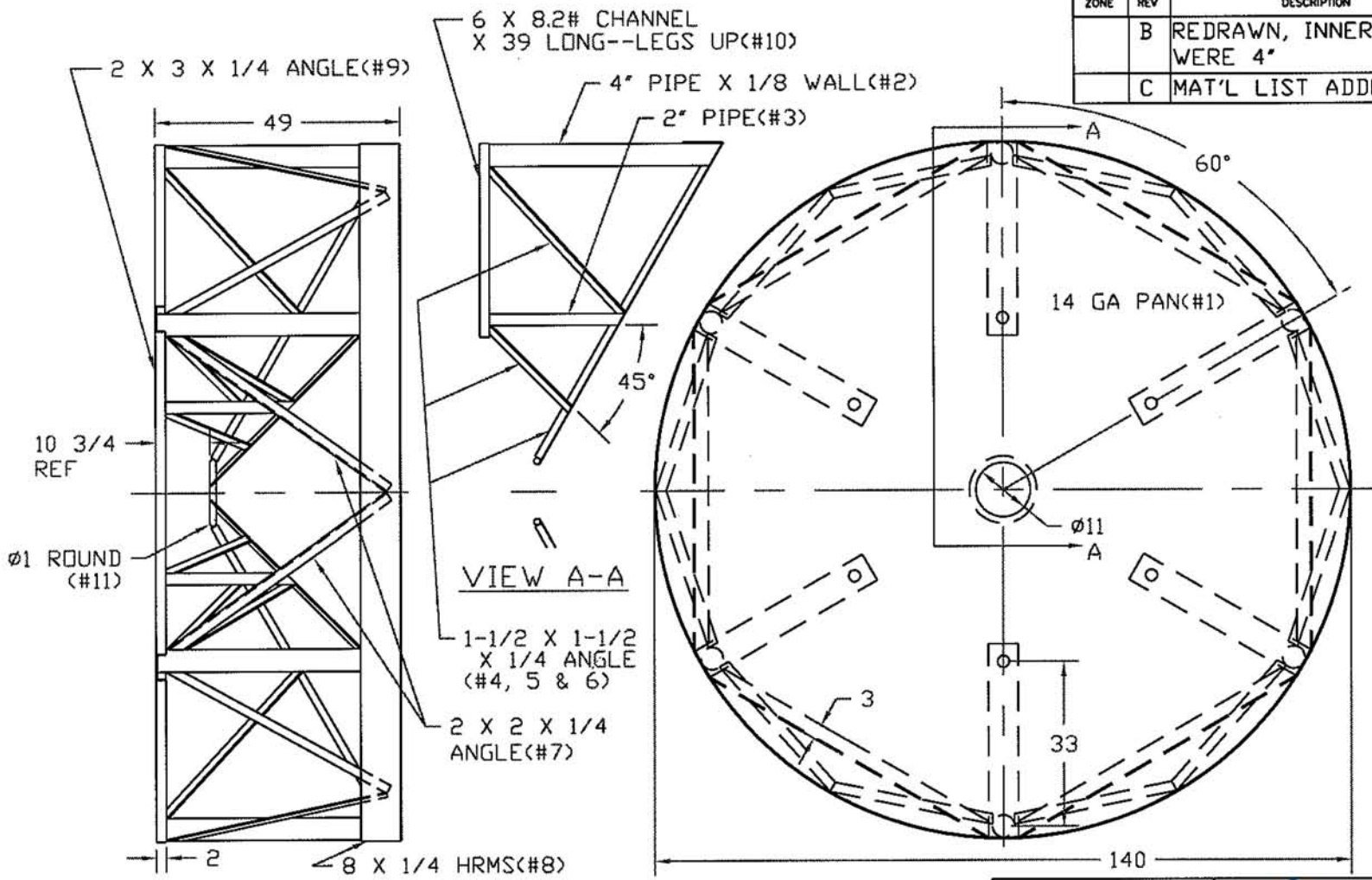


ZONE	REV	DESCRIPTION	DATE	APPROVED
	B	REDRAWN, INNER PIPES WERE 4"	19NOV96	
	C	MAT'L LIST ADDED	26JUN00	



ITEM #	QTY	DESCRIPTION
1	1	14 GA PAN
2	6	4 PIPE W/ 1/8 WALL
3	6	2 PIPE
4	6	1-1/2 X 1-1/2 X 1/4 ANGLE
5	6	1-1/2 X 1-1/2 X 1/4 ANGLE
6	6	1-1/2 X 1-1/2 X 1/4 ANGLE

ITEM #	QTY	DESCRIPTION
7	12	2 X 2 X 1/4 ANGLE
8	1	8 X 1/4 HRMS
9	6	2 X 3 X 1/4 ANGLE
10	6	6 X 8.2# CHANNEL X 30
11	1	1 DIA ROUND

JTP 18NOV96				STEEL STAND, 7500 GAL CONE BOTTOM TANK	
				SIZE B	FSCM NO.
SCALE 1/24		SHEET			