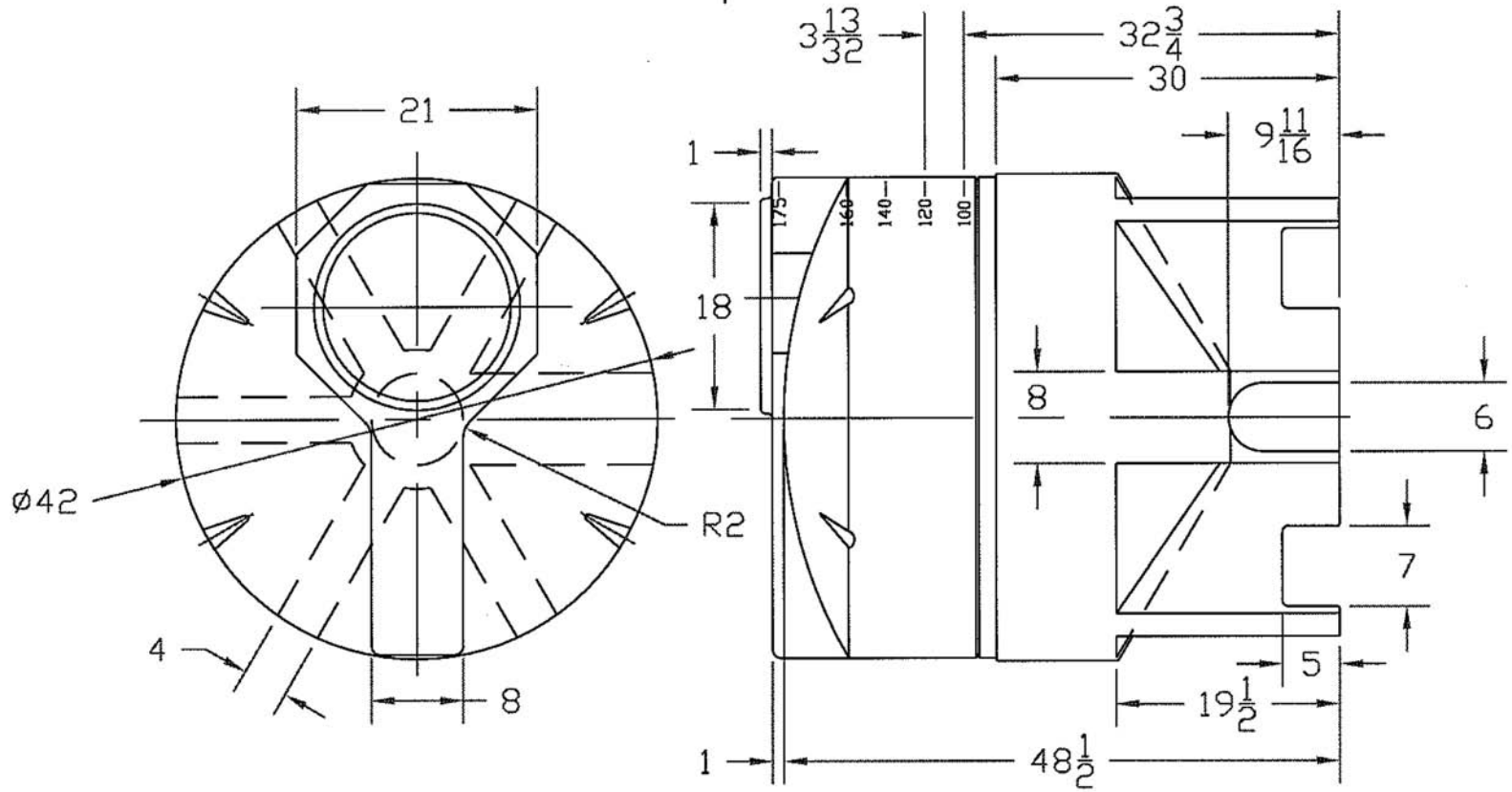



REVISIONS				
ZONE	REV	DESCRIPTION	DATE	APPROVED
	B	REDRAWN W/ 16" LID	23JAN02	



				
		<h2>175 GALLON CONE BOTTOM TANK WITH STAND</h2>		
JTP	23JAN02	SIZE A	FSCM NO.	DWG NO.
		SCALE 1/16		SHEET
				REV B