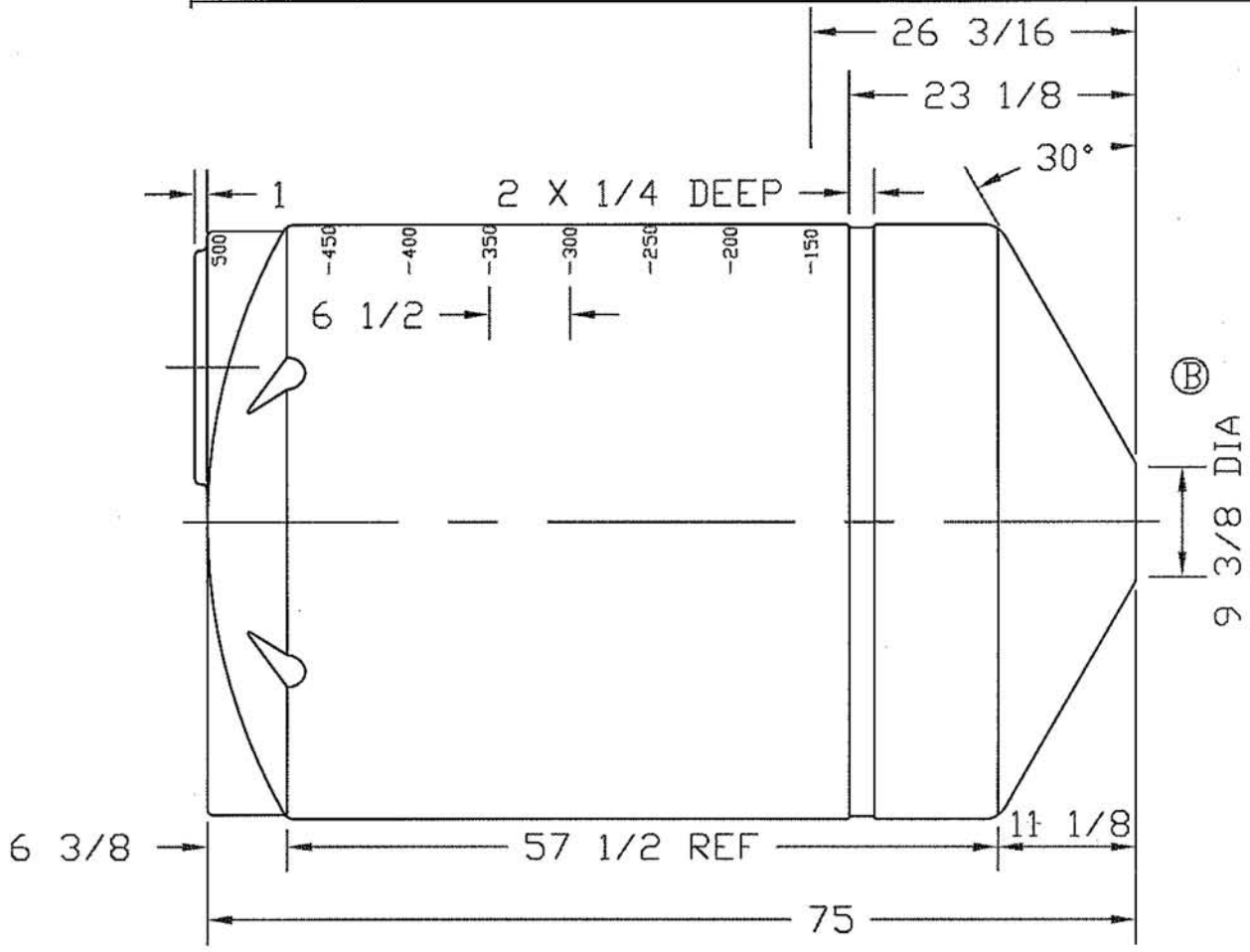
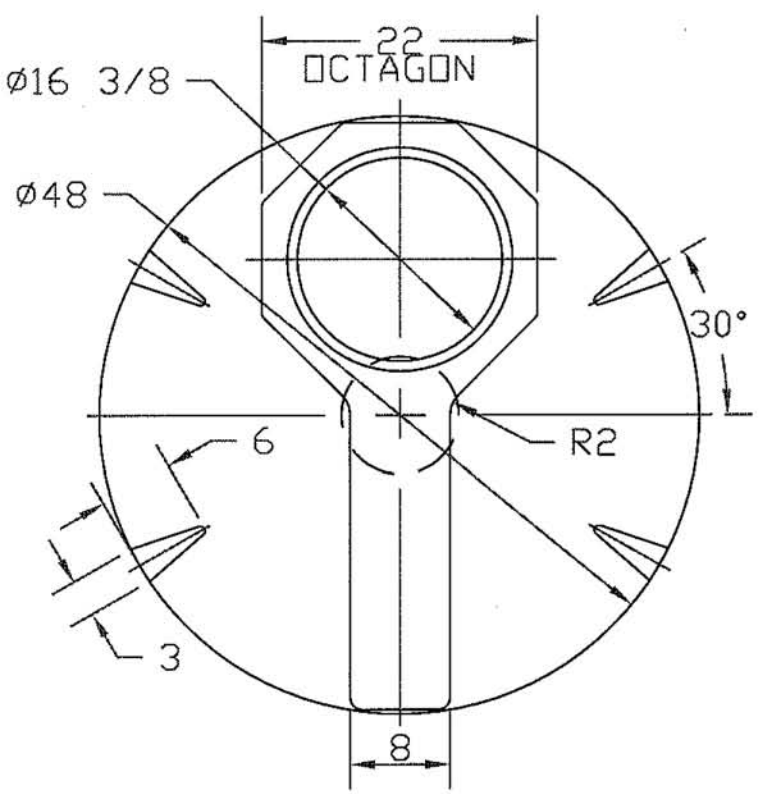



REVISIONS				
ZONE	REV	DESCRIPTION	DATE	APPROVED
	A	REDRAWN	21AUG97	
	B	DIMENSION ADDED	21MAR00	



				
		500 GALLON CONE BOTTOM TANK		
JTP	21AUG97	SIZE A	FSCM NO.	DWG NO.
		SCALE 1/16		SHEET
				REV A