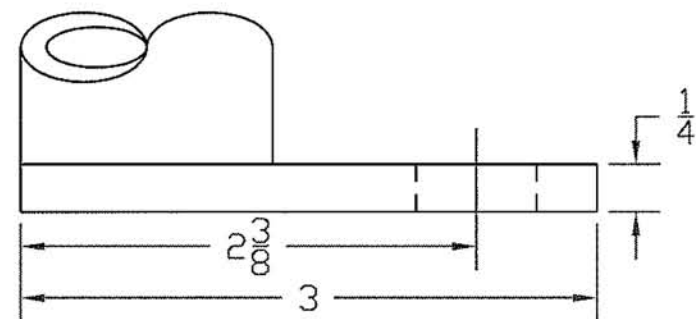
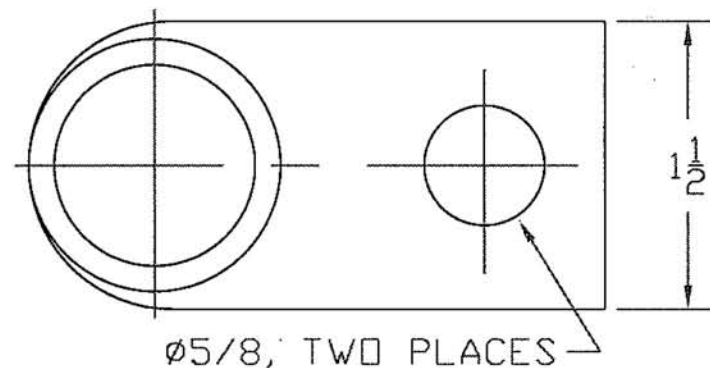
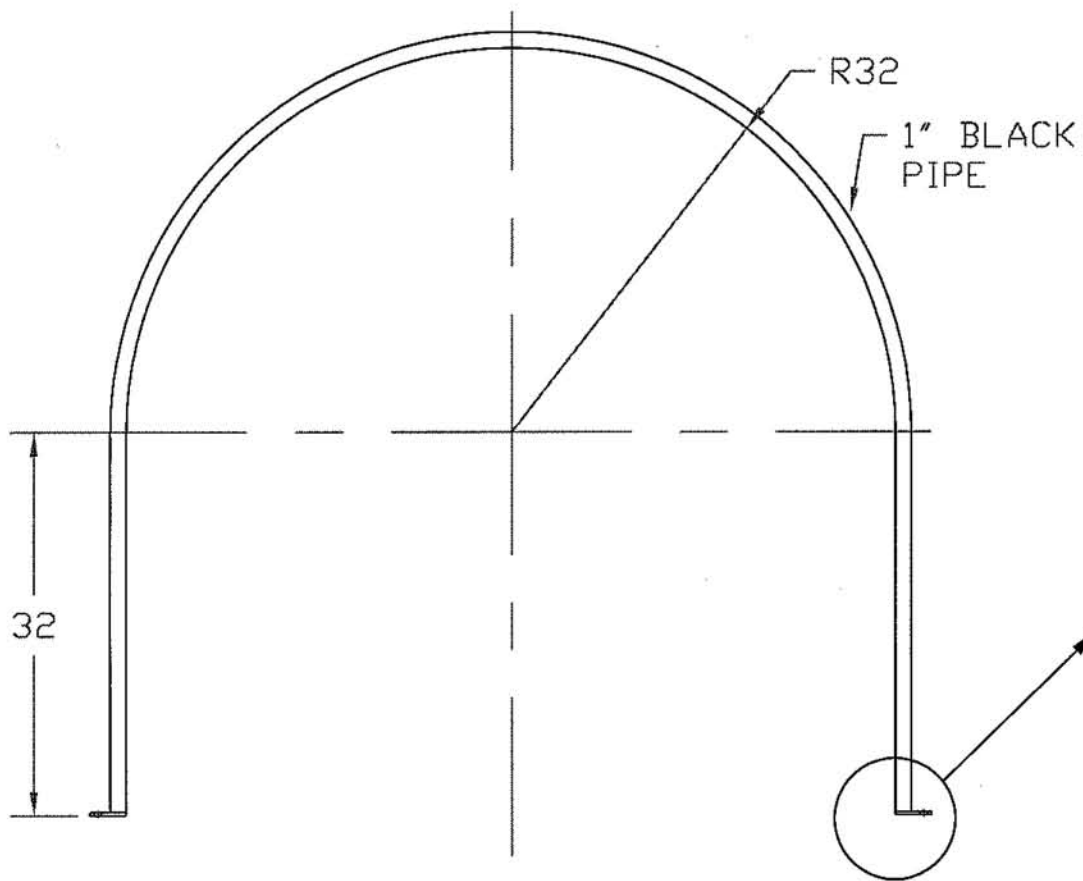


REVISIONS				
ZONE	REV	DESCRIPTION	DATE	APPROVED



FULL SCALE DETAIL

FINISH: HOT DIPPED GALVANIZED



BAND, 1325 HORIZONTAL &
1310 DRAINABLE TANKS

JTP	15SEP03	SIZE A	FSCM NO.	DWG NO. 63282	REV
SCALE 1/16			SHEET		