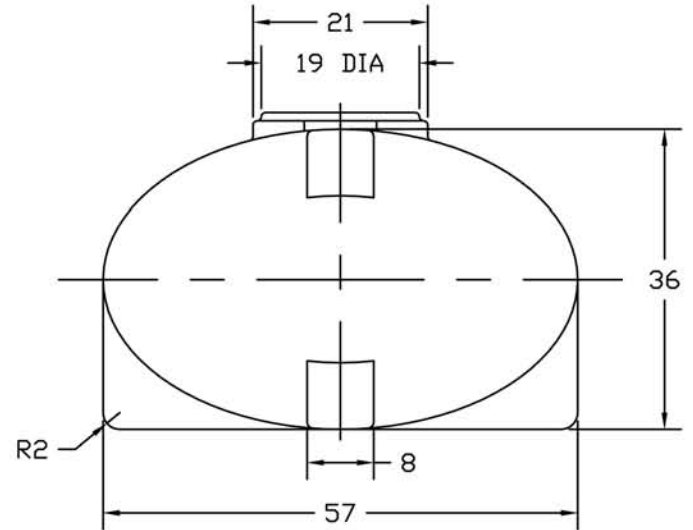
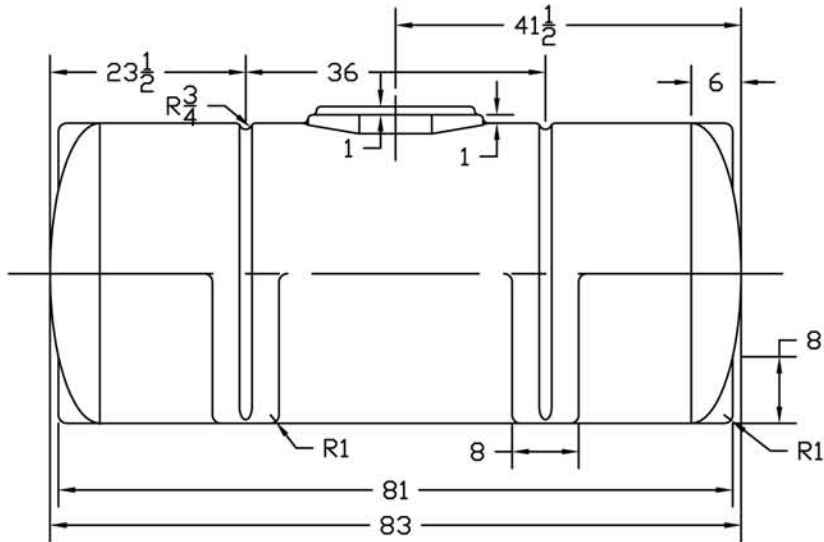



FILLWELL DETAIL
1/12 SCALE



REVISIONS				
ZONE	REV	DESCRIPTION	DATE	APPROVED

JTP 23FEB06				
		535 GALLON ELLIPTICAL LEG TANK		
SIZE B	FSCM NO.	DWG NO.	REV	
SCALE 1/16		SHEET		