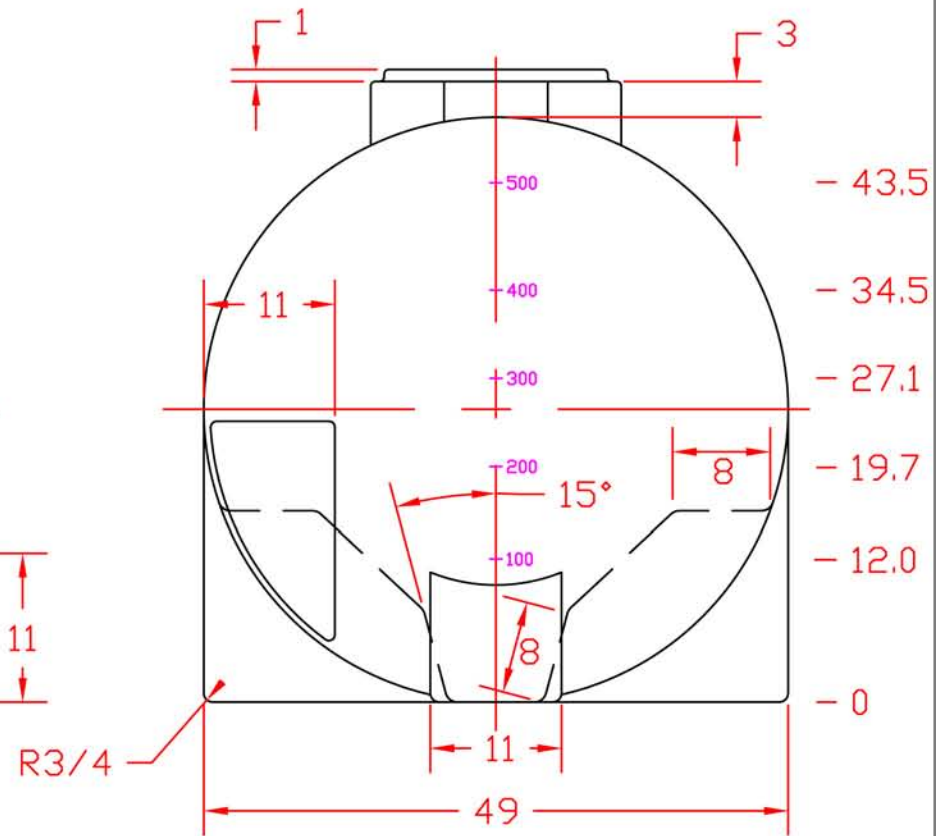
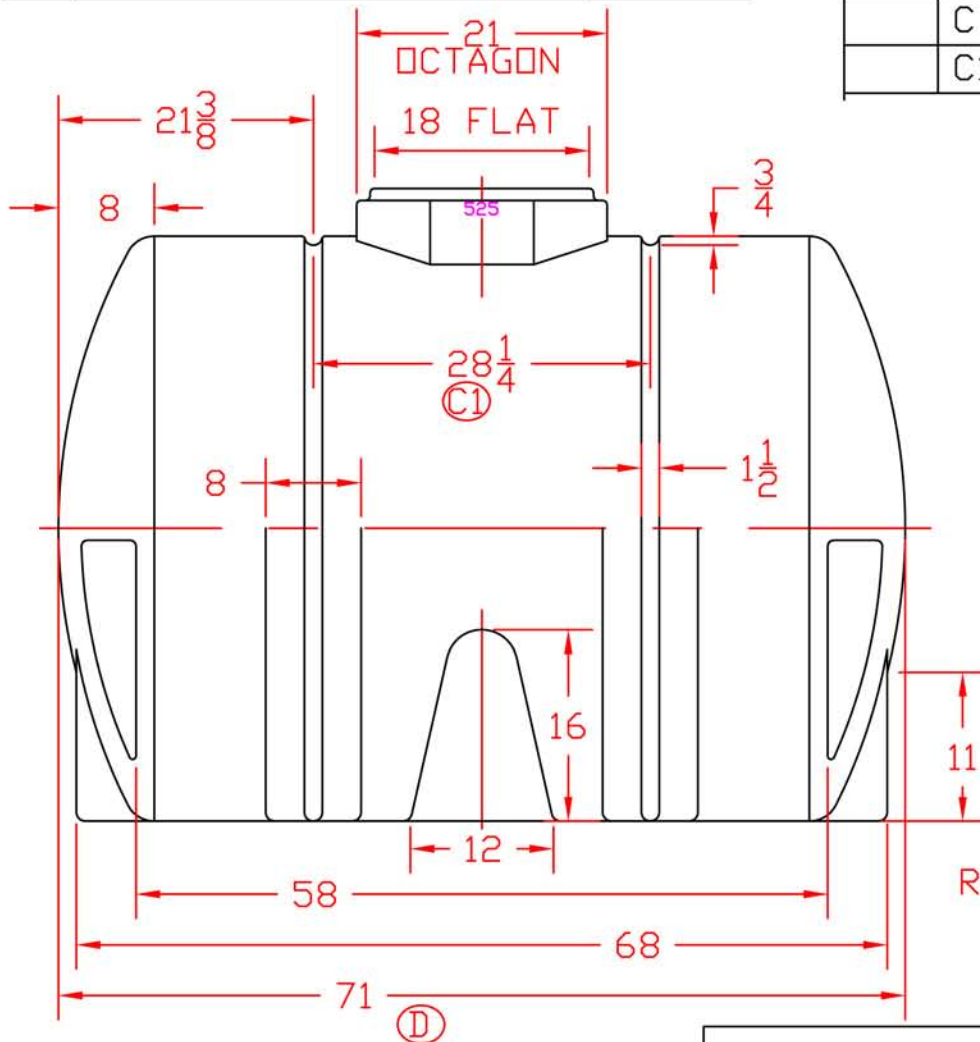


ZONE	REV	DESCRIPTION	DATE
	D	WAS 72 1/2	03DEC04

REVISIONS				
ZONE	REV	DESCRIPTION	DATE	APPROVED
	C	REDRAWN	10FEB97	
	C1	CORRECTED, WAS 27-1/2	23SEP02	



NOTE: GALLONAGE MARKS BOTH ENDS



# 525 GAL HORIZONTAL TANK

JTP	10FEB97	SIZE A	FSCM NO.	DWG NO.	REV D
SCALE 1/16			SHEET		