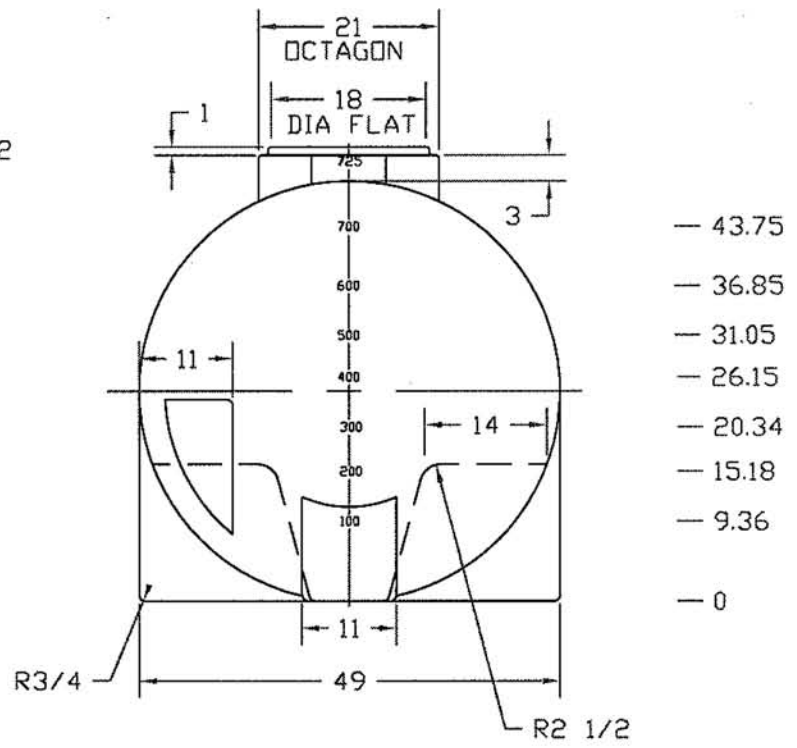
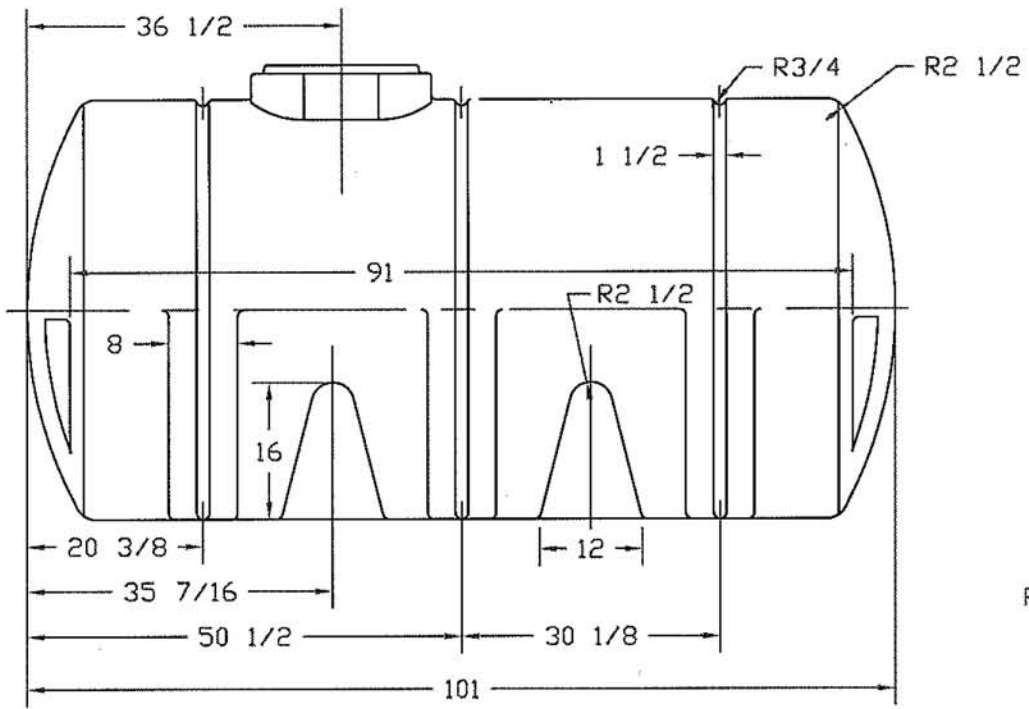



|      |     | REVISIONS   |         |          |
|------|-----|-------------|---------|----------|
| ZONE | REV | DESCRIPTION | DATE    | APPROVED |
|      | B   | REDRAWN     | 14AUG97 |          |



GALLON MARKS BOTH ENDS

|            |         |  |          |
|------------|---------|--|----------|
|            |         | <br><b>PEABODY</b><br>engineering |          |
|            |         | <b>725 GALLON HORIZONTAL<br/>LEG TANK</b>  |          |
| JTP        | 14AUG97 | SIZE<br>B  | FSCM NO. |
|            |         | DWG NO.  | REV<br>B |
| SCALE 1/16 |         | SHEET  |          |