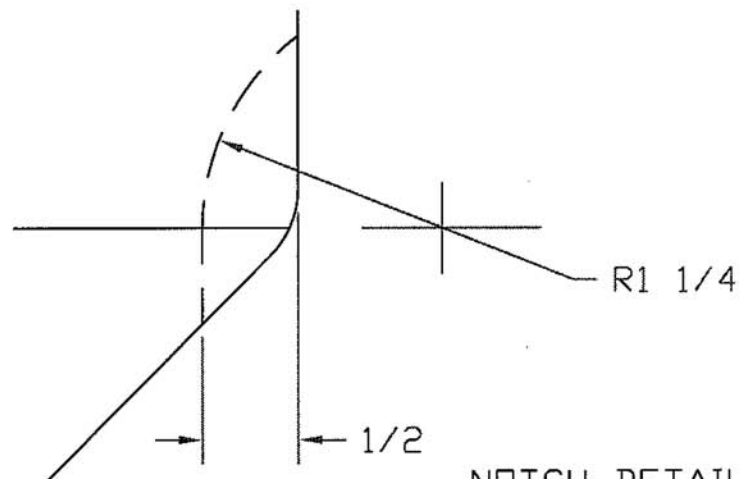
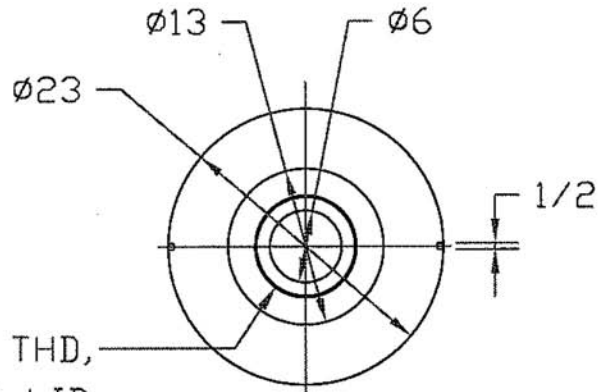
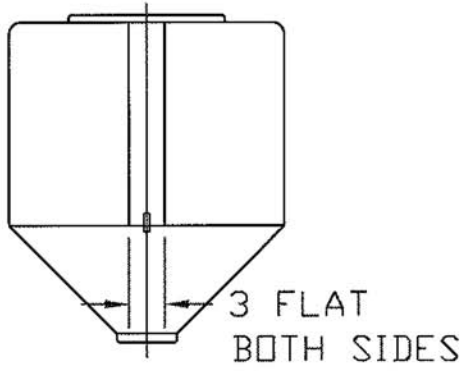
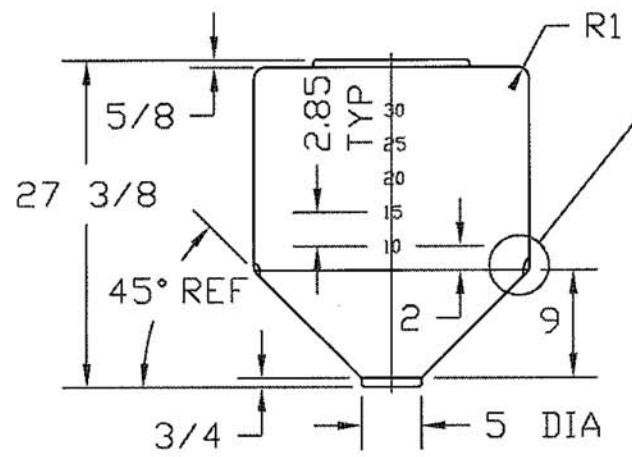


REVISIONS				
ZONE	REV	DESCRIPTION	DATE	APPROVED
	A	REDRAWN	18AUG97	



1/4 ACME THD,  
FOR 60002 LID

NOTCH DETAIL  
FULL SCALE



### 35 GALLON INDUCTOR TANK

JTP 18AUG97

SIZE A	FSCM NO.	DWG NO.	REV A
-----------	----------	---------	----------

SCALE 1/16

SHEET