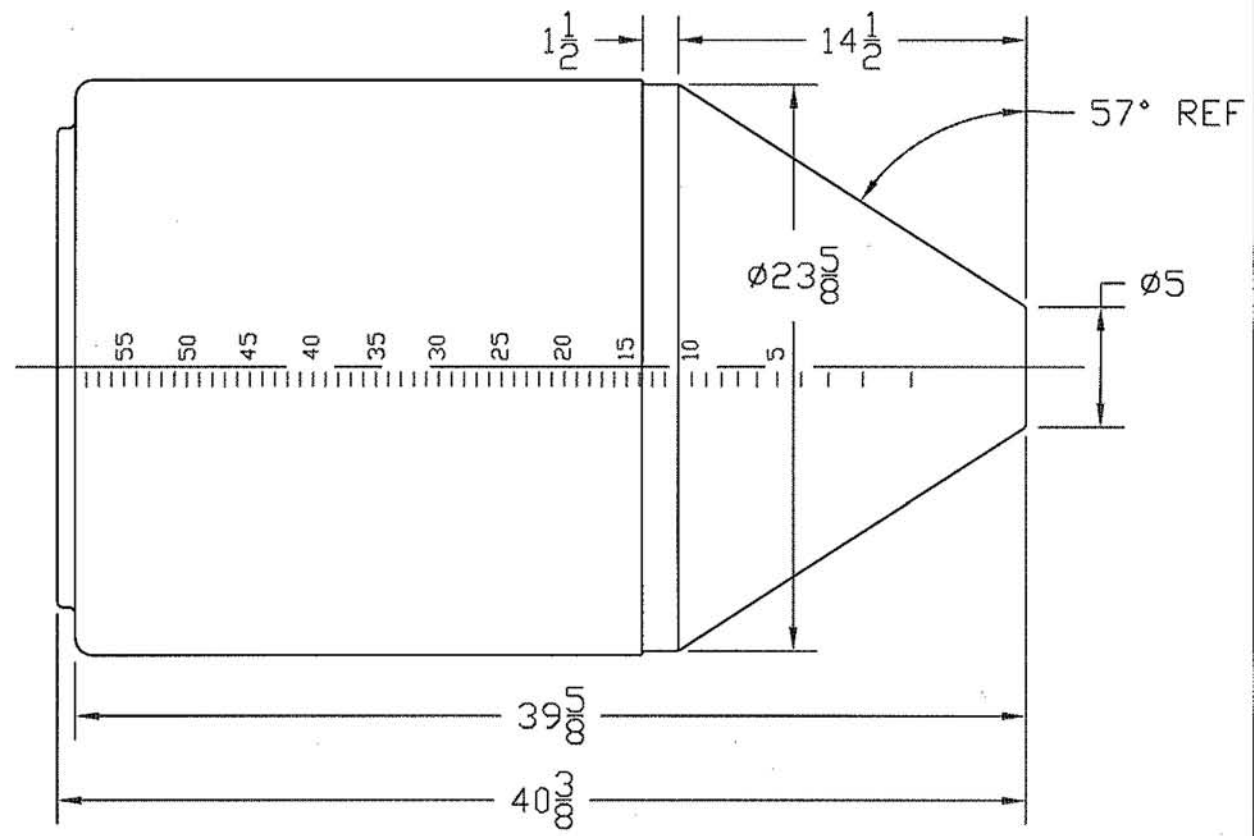
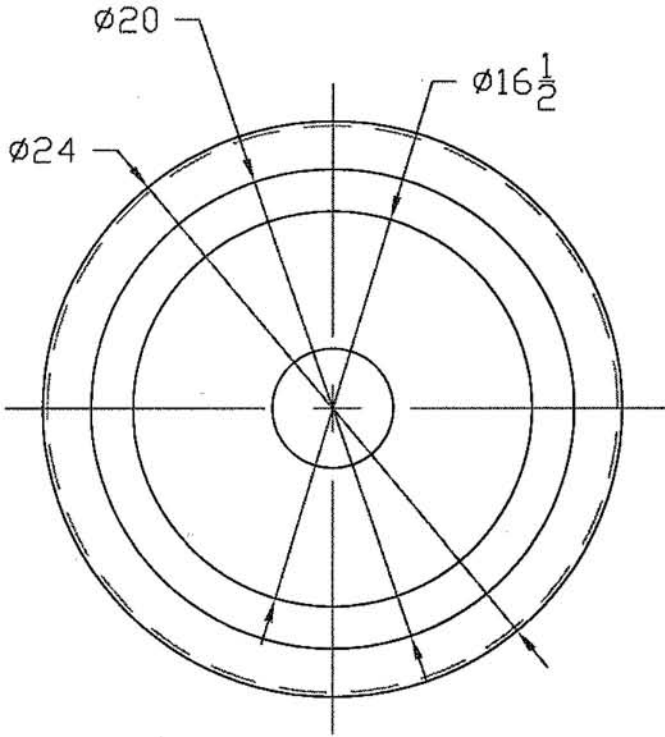



ZONE	REV	DESCRIPTION	DATE	APPROVED



					
		<b>60 GALLON INDUCTOR TANK X 24 DIA</b>			
JTP	02APR04	SIZE A	FSCM NO.	DWG NO.	REV
		SCALE 1/8			SHEET