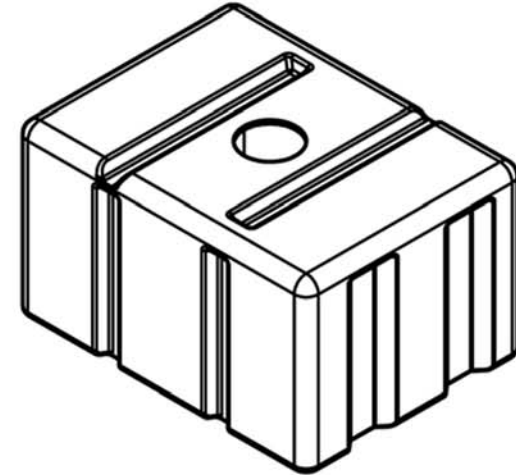
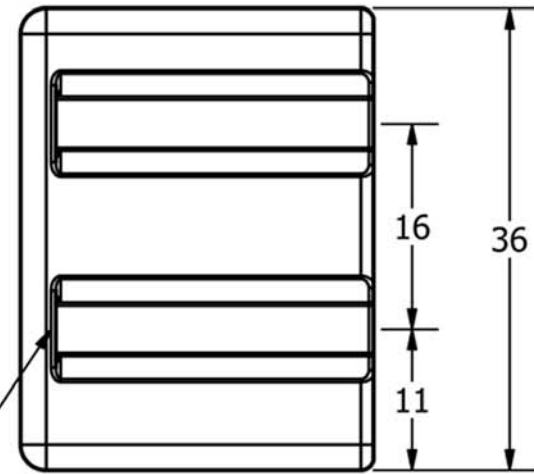



TWO HAND HOLDS
BOTH ENDS



DRAWN Jerry Paulson	1/18/2011			
CHECKED				
QA		TITLE		
MFG		200 GALLON LOAF TANK		
APPROVED		SIZE	DWG NO	REV
		A		
		SCALE: 1/16	SHEET 1 OF 1	