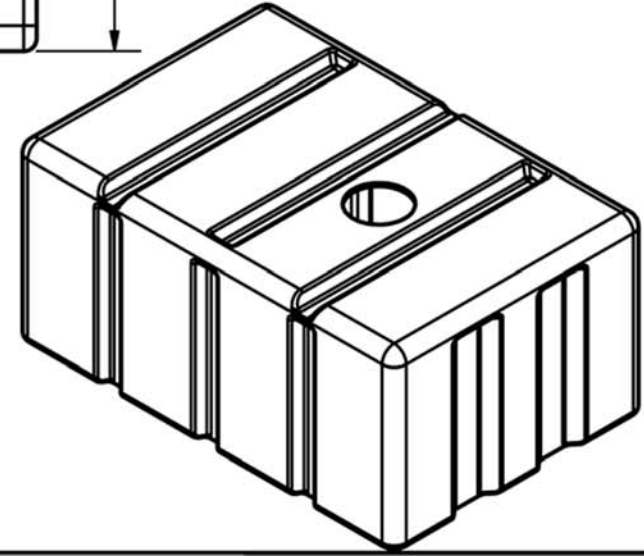


TWO HAND HOLDS
BOTH ENDS



| | |
|------------------------|-----------|
| DRAWN Jerry Paulson | 1/18/2011 |
| CHECKED | |
| QA | |
| MFG | |
| APPROVED | |
| | |
| | |



| | | |
|----------------------|--------------|-----|
| TITLE | | |
| 300 GALLON LOAF TANK | | |
| SIZE | DWG NO | REV |
| A | | |
| SCALE: 1/16 | SHEET 1 OF 1 | |