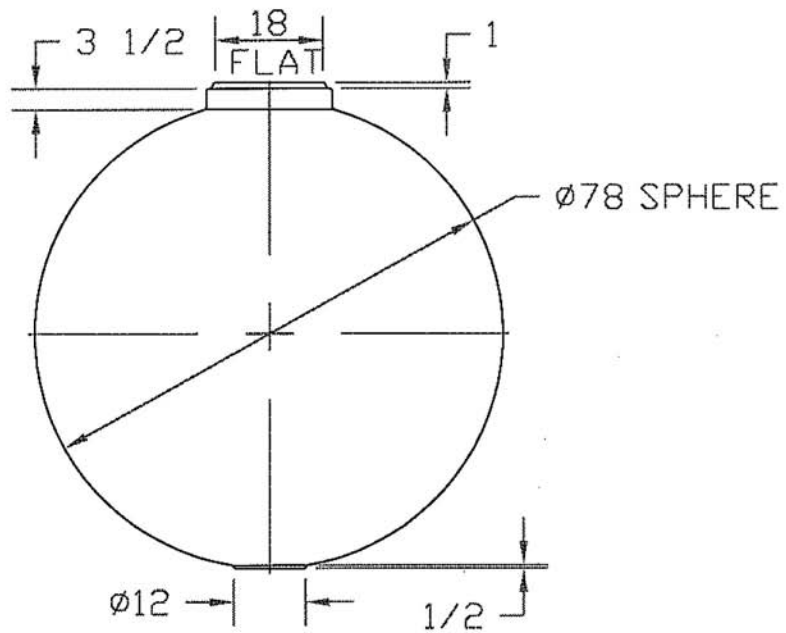
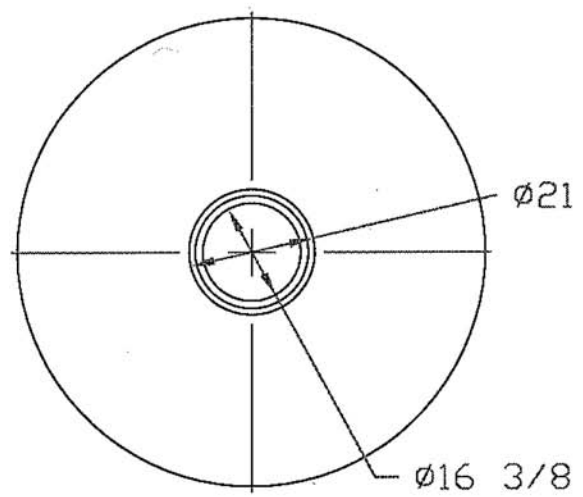


REVISIONS

ZONE	REV	DESCRIPTION	DATE	APPROVED



1000 GALLON  
SPHERICAL TANK

JTP	12MAY00	SIZE A	FSCM NO.	DWG NO.	REV
		SCALE 1/32			SHEET