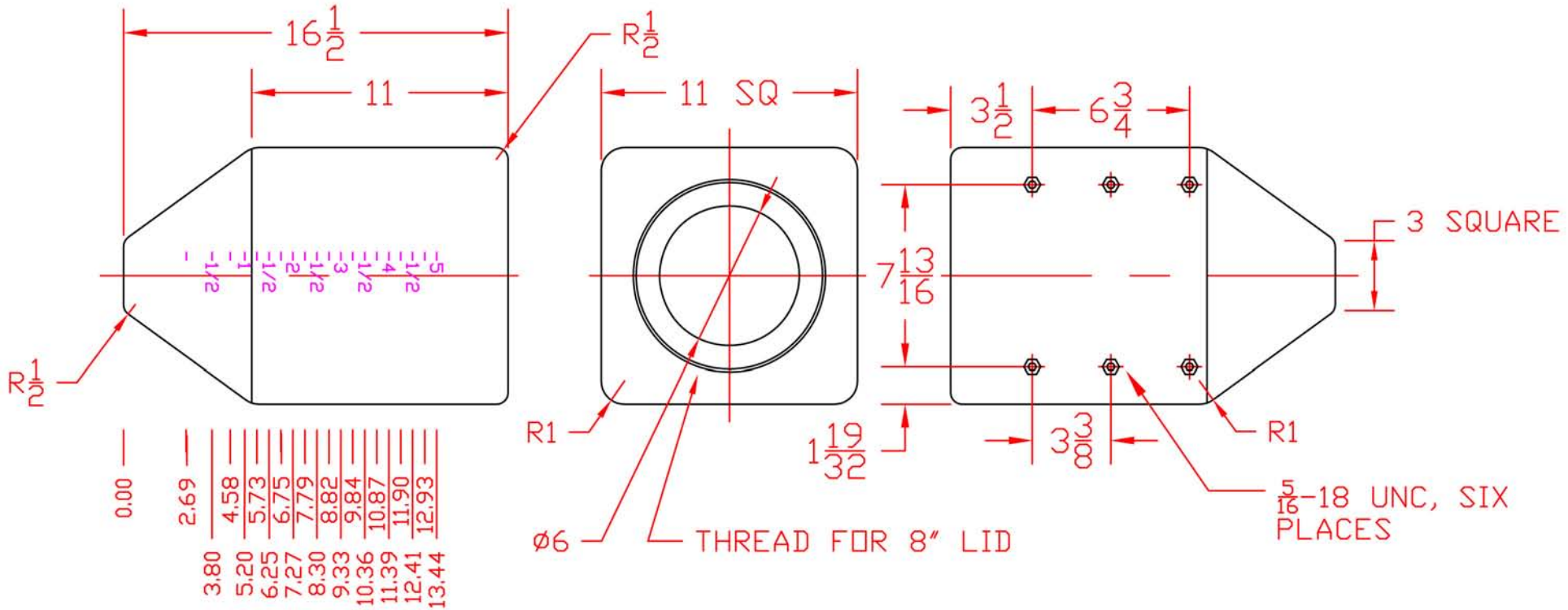



REVISIONS				
ZONE	REV	DESCRIPTION	DATE	APPROVED



JTP 18FEB05				
		FIVE GALLON SQUARE TOTAL DRAIN TANK		
SIZE A	FSCM NO.	DWG NO.		REV
SCALE 1/8		SHEET		