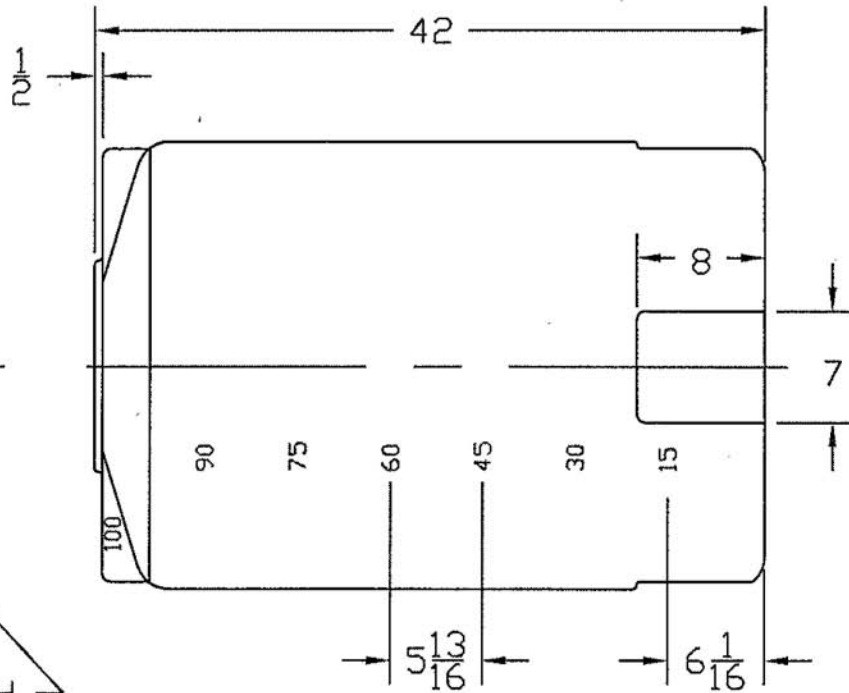
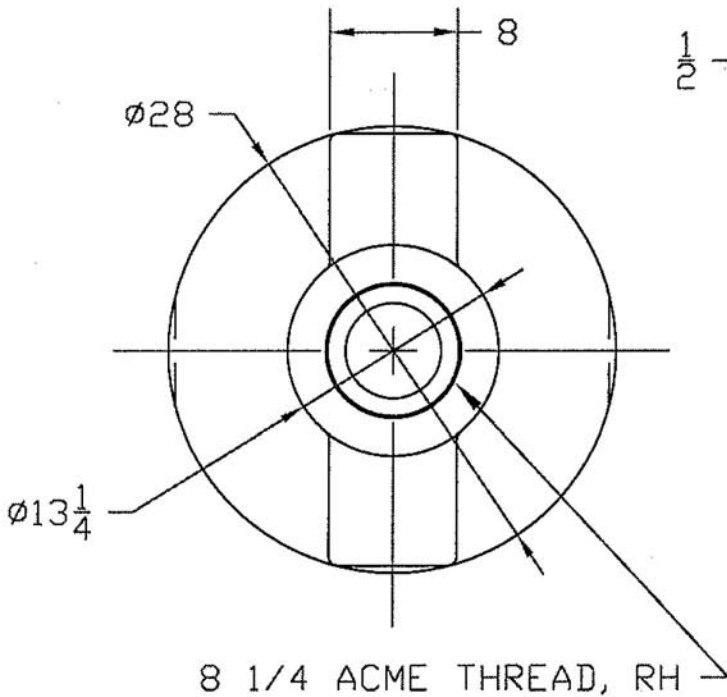



REVISIONS				
ZONE	REV	DESCRIPTION	DATE	APPROVED



JTP 06JUN03		 <b>PEABODY</b> engineering		
		100 GALLON VERTICAL TANK X 28 DIAMETER		
SIZE A	FSCM NO.	DWG NO.	REV	
SCALE 1/12	SHEET			