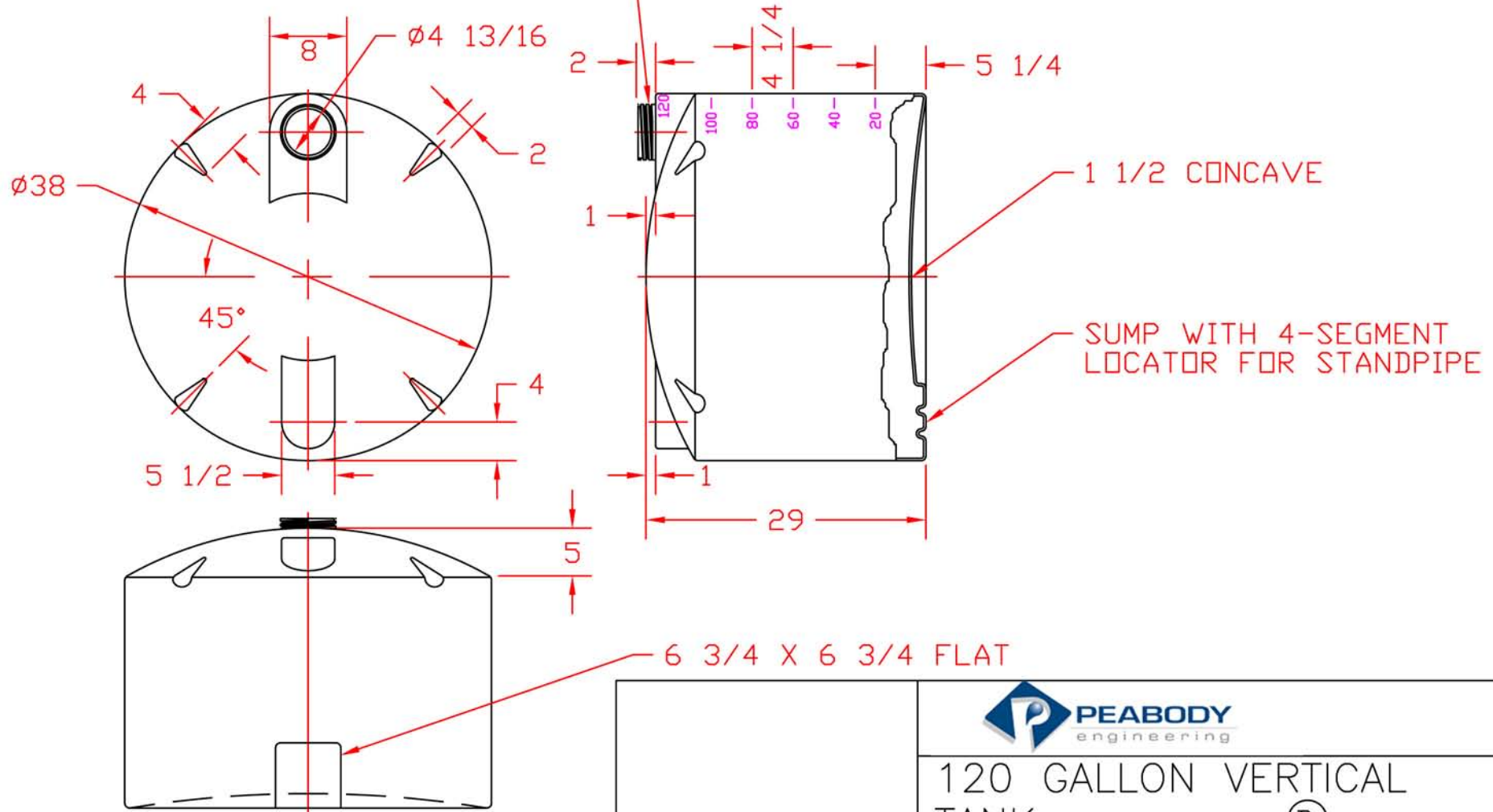



REVISIONS

ZONE	REV	DESCRIPTION	DATE	APPROVED
	B	REDRAWN	13JAN97	
	C	LID THREAD REVISED	09FEB00	
	D	WAS MINI BULK TANK	15AUG11	

ACME THREAD
 5-3/4 MAJOR DIA
 5-3/8 MINOR DIA
 9/16 PITCH



			
		120 GALLON VERTICAL TANK (D)	
JTP	13JAN97	SIZE A	FSCM NO.
		DWG NO.	REV D
		SCALE 1/16	SHEET