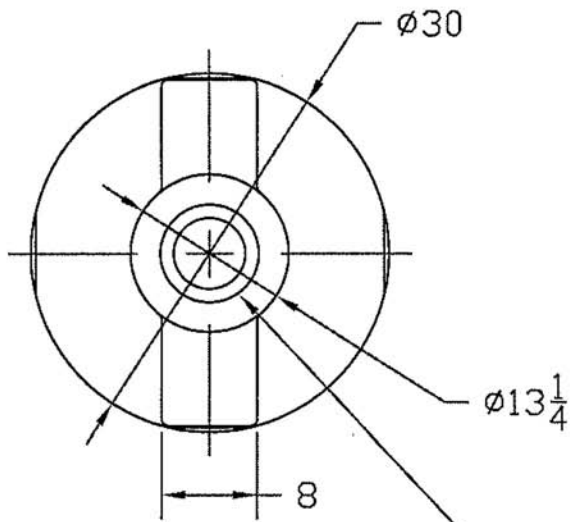
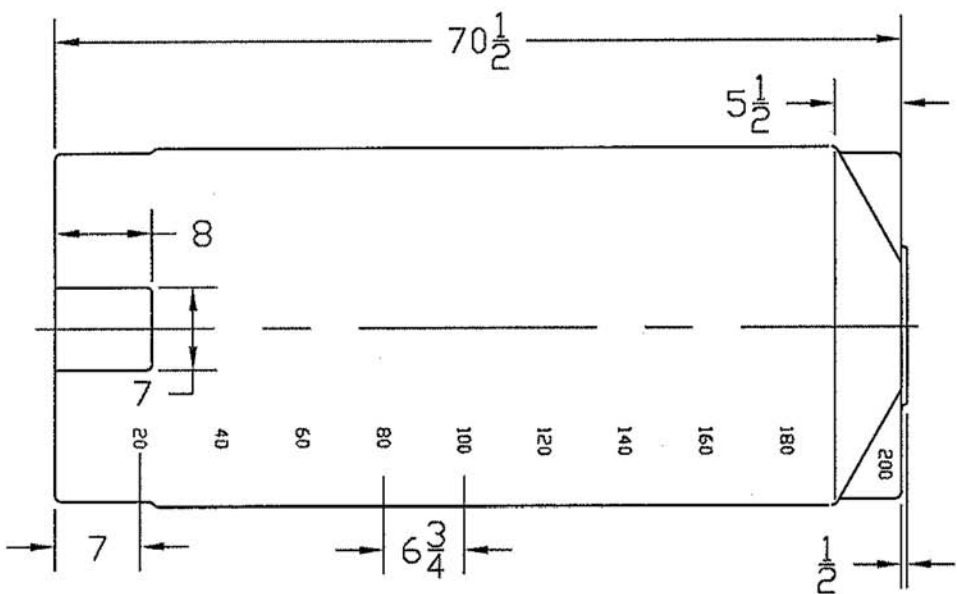



REVISIONS				
ZONE	REV	DESCRIPTION	DATE	APPROVED



8 1/4 ACME THREAD, RH

					
		<p>200 GALLON VERTICAL TANK X 30 DIA</p>			
JTP	11JUL03	SIZE A	FSCM NO.	DWG NO.	REV
		SCALE 1/16			SHEET