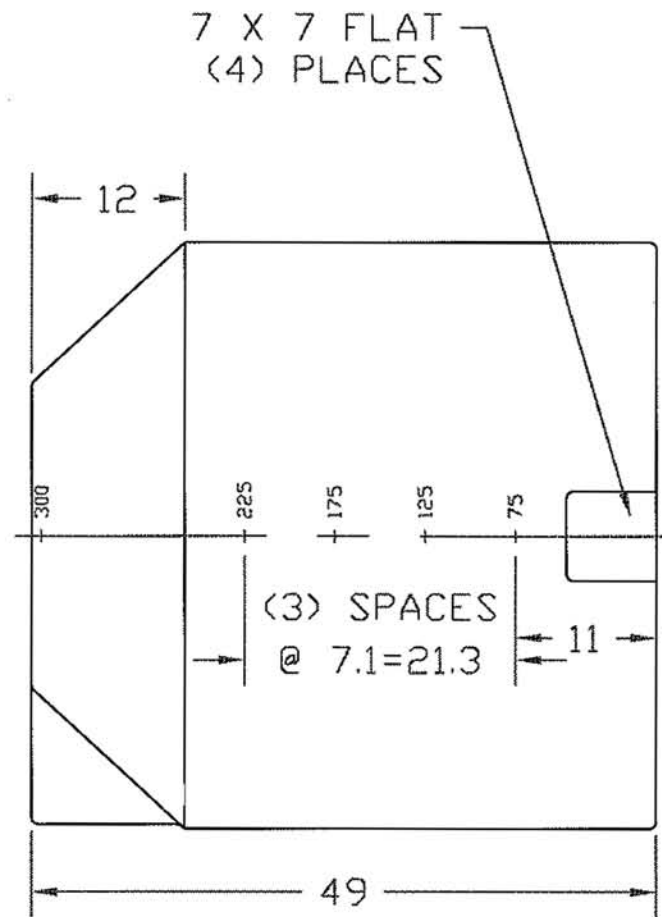
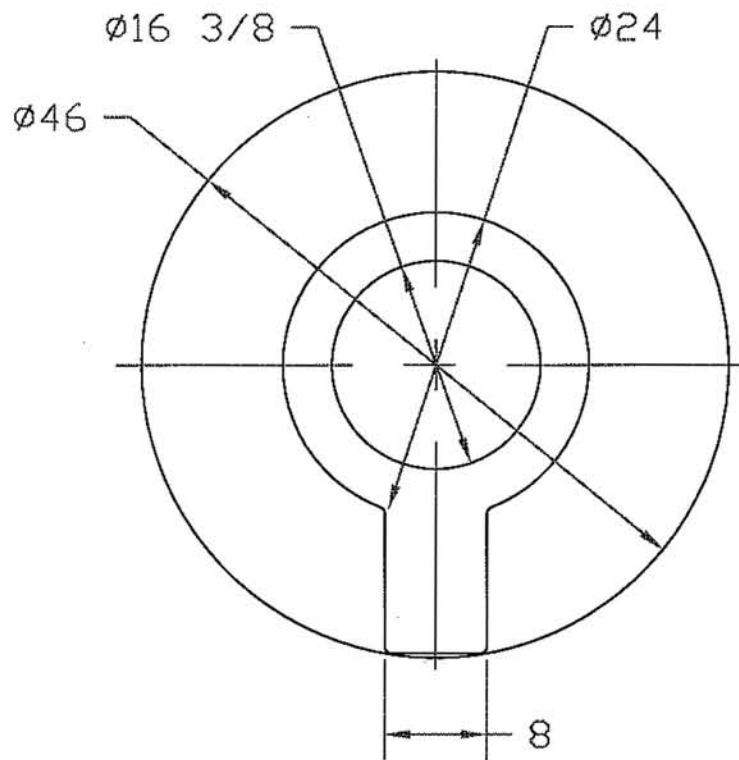



REVISIONS				
ZONE	REV	DESCRIPTION	DATE	APPROVED
	A	REDRAWN	16FEB97	



		 PEABODY engineering	
		305 GALLON VERTICAL TANK	
JTP	16FEB97	SIZE A	FSCM NO.
		DWG NO.	REV A
		SCALE 1/16	SHEET