

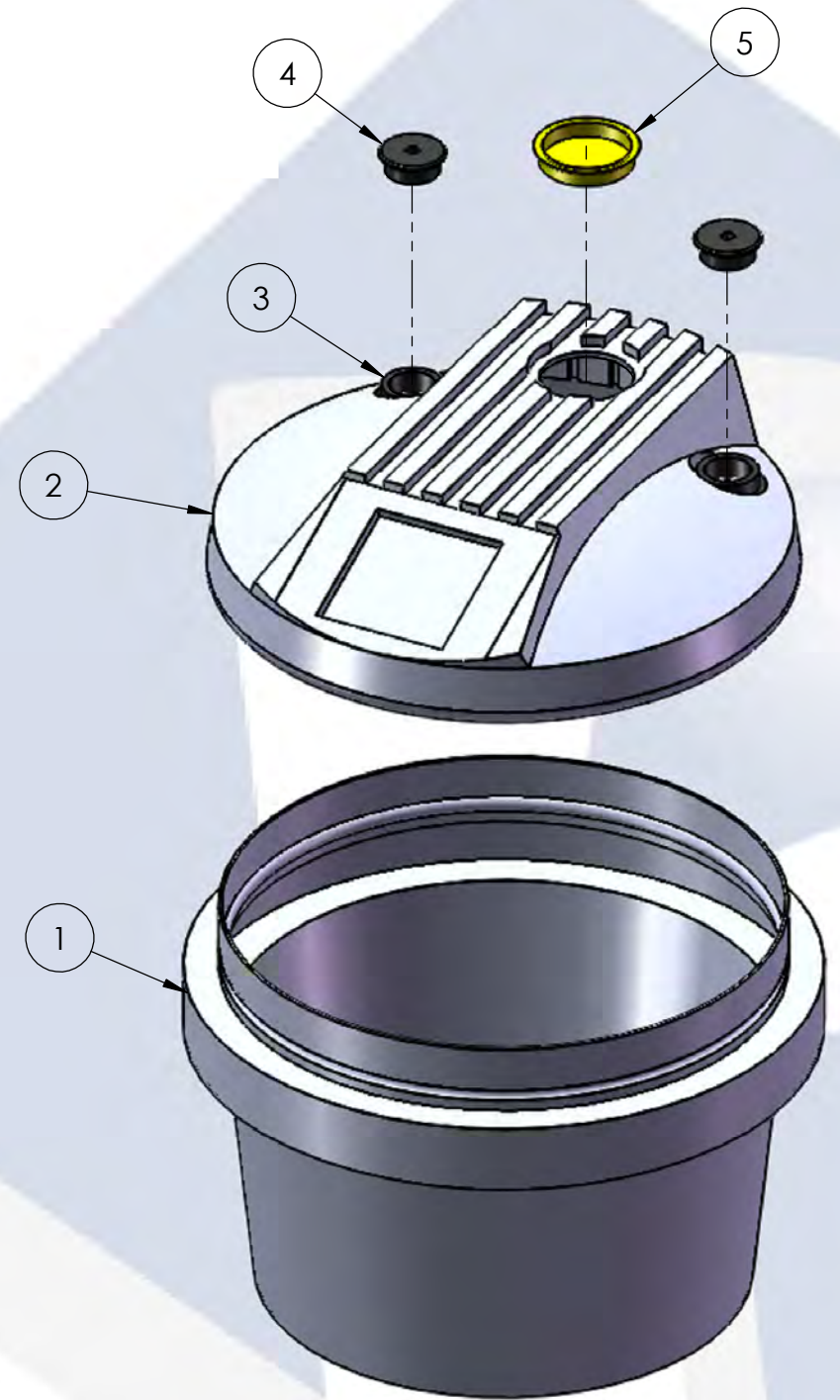
8 7 6 5 4 3 2 1

30 GALLON AQUARIUS	PART NUMBER	
	BLUE	NATURAL
STANDARD (1.5 SPG) - 3/16" WALL	01-28643	01-28641
HD (1.9 SPG) - 5/16" WALL	01-28647	01-28645

D
C
B
A



**TRIMETRIC VIEW
(ASSEMBLED)**



**TRIMETRIC VIEW
(EXPLODED)**

TOP LEVEL ASSEMBLY BOM		
ITEM NO.	DESCRIPTION	QTY.
1	30 GALLON AQUARIUS TANK	1
2	AQUARIUS TANK LID	1
3	2" SPINWELD FITTING, PE, BLACK	2
4	2" PLUG, PE, BLACK	2
5	4" YELLOW CAPPLUG	1

NOTES:

- MATERIAL:** LLDPE, **COLOR:** NATURAL, **FINISH:** GLASS BEAD
- PART WEIGHT:** APPROX. 16 LBS. (3/16" WALL), 23 LBS. (5/16" WALL)

PROPRIETARY AND CONFIDENTIAL
THE INFORMATION CONTAINED IN THIS DRAWING IS THE SOLE PROPERTY OF PEABODY ENGINEERING. ANY REPRODUCTION IN PART OR AS A WHOLE WITHOUT THE WRITTEN PERMISSION OF PEABODY ENGINEERING IS PROHIBITED.

UNLESS OTHERWISE SPECIFIED:
DIMENSIONS ARE IN INCHES
TOLERANCES:
FRACTIONAL ± 1/8"
ONE PLACE DECIMAL ± .25"
TWO PLACE DECIMAL ± .125"
THREE PLACE DECIMAL ± .063"

TANK MATERIAL:
LLDPE

INNER TANK S/N:
OUTER TANK S/N:
CUSTOMER PO#

DO NOT SCALE DRAWING

NAME	DATE
DRAWN RFR	11/25/13
CHECKED	
ENG APPR.	
MFG APPR.	
Q.A.	
COMMENTS:	



PROJECT: 30GA AQUARIUS TANK ASSEMBLY		REV. B
CUSTOMER: PEABODY STANDARD		
SITE/LOCATION:		
DRAWING#: SEE TABLE		
SIZE B	DESC. 30 GAL, AQUARIUS TAPERED CHEMICAL FEED TANK	
SCALE: 1:8	SHEET 1 OF 2	

8 7 6 5 4 3 2 1

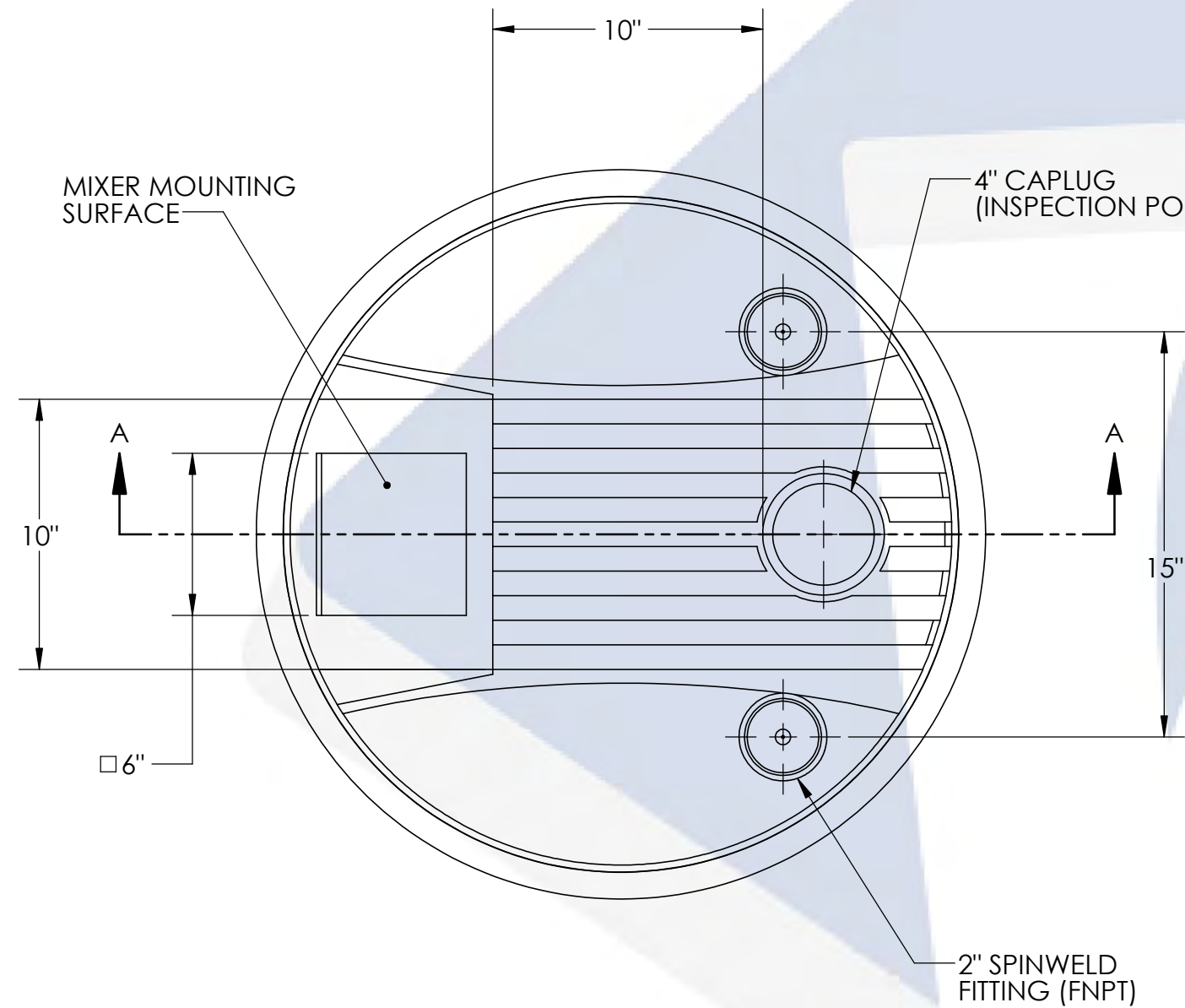
8 7 6 5 4 3 2 1

D D

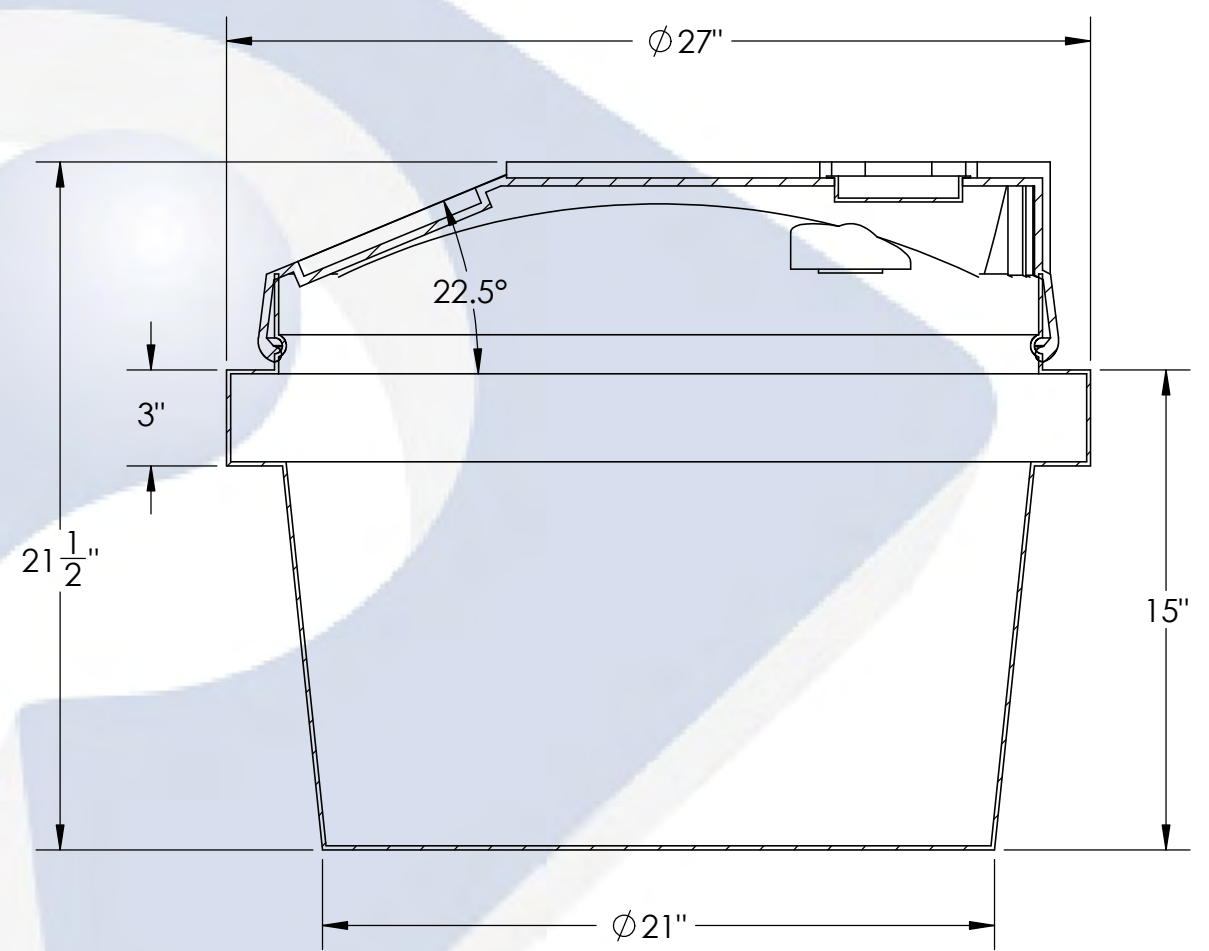
C C

B B

A A



PLAN VIEW



SECTION A-A



PROJECT: 30G AQUARIUS TANK ASSEMBLY, FOR CUSTOMER, REV B

SCALE: 1:6

SHEET 2 OF 2

8 7 6 5 4 3 2 1