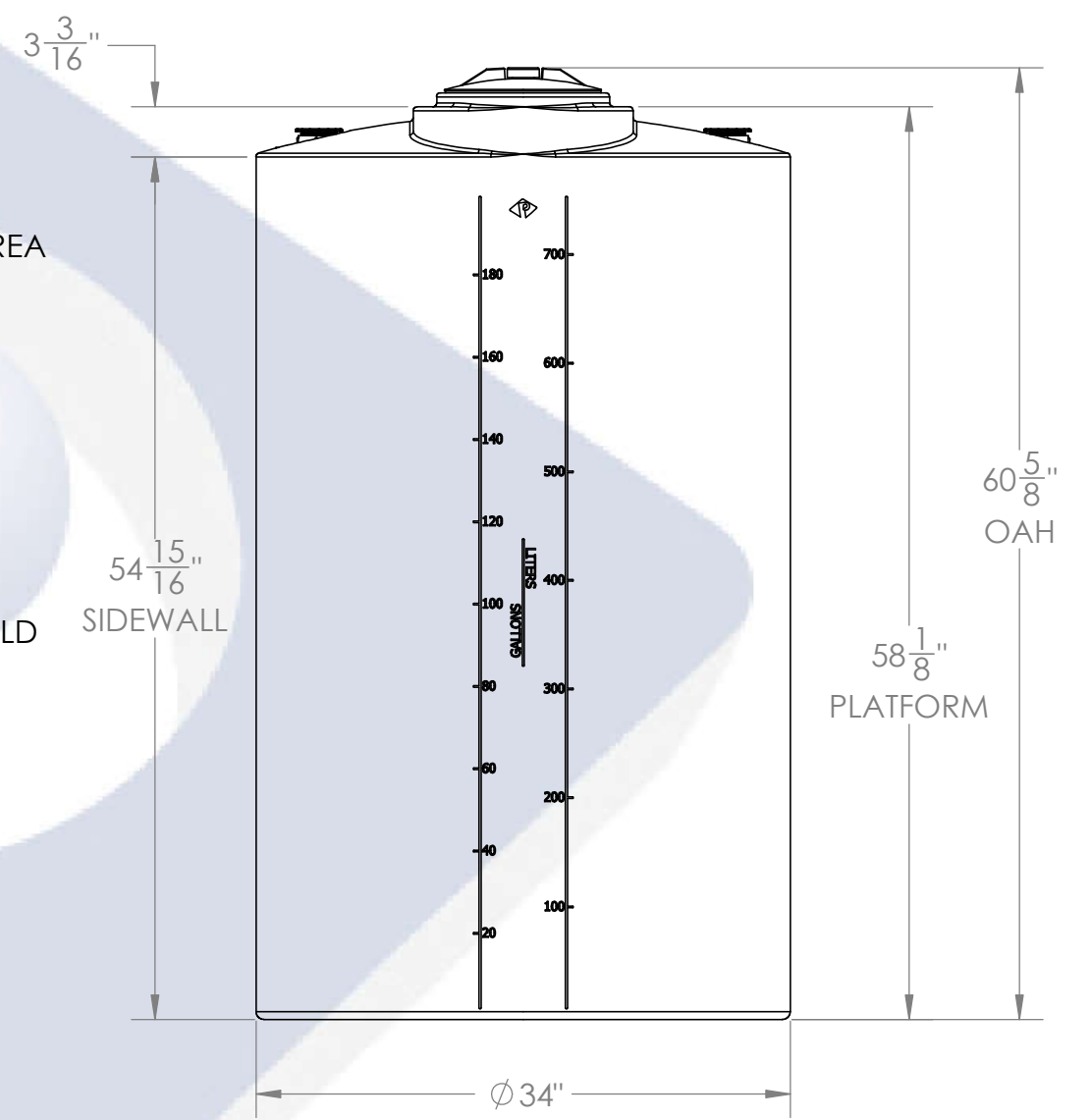
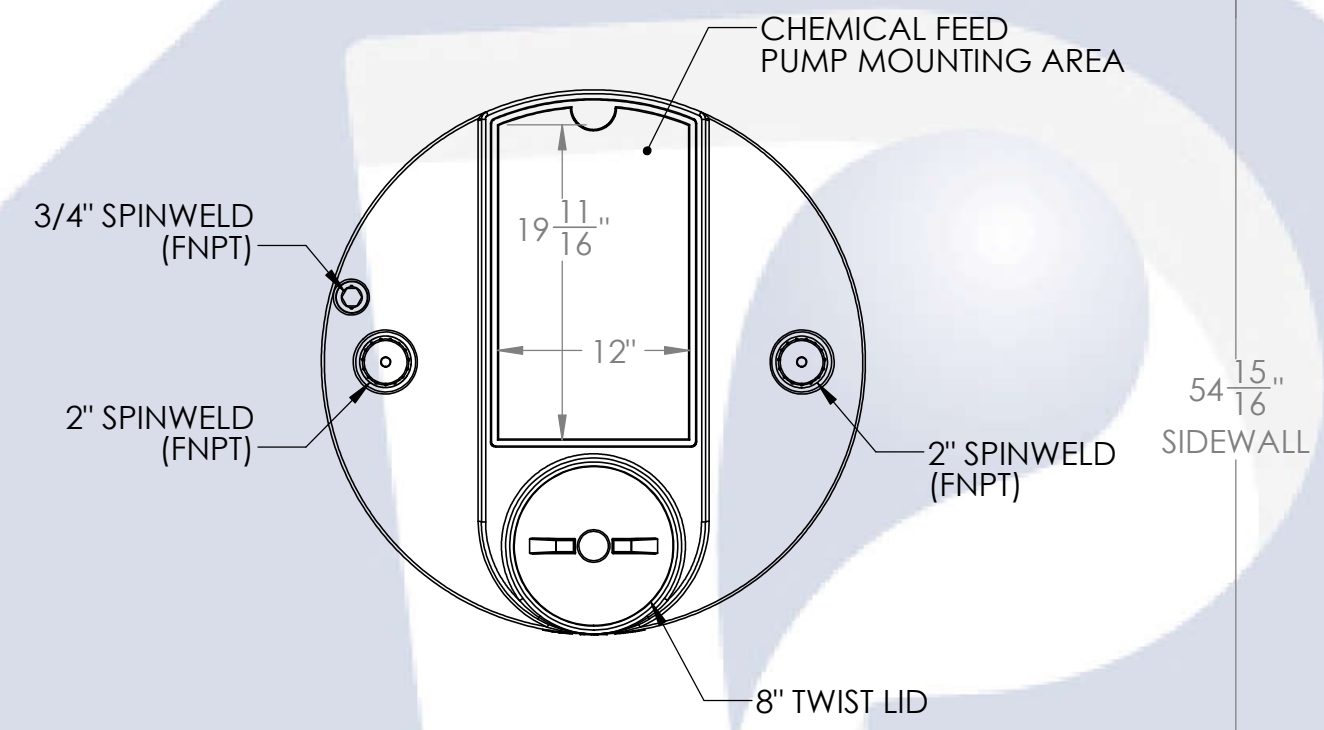
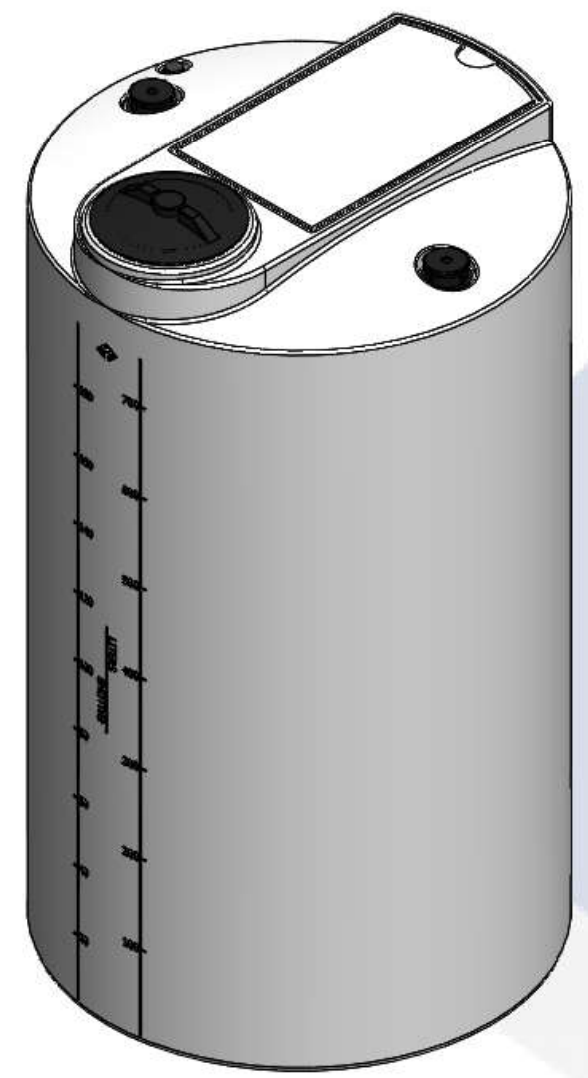


D  
C  
B  
A



200G PROCHEM TANK	
MATERIAL	PART NUMBERS
LLDPE, NATURAL, 1.9 SPG	01-31266
XLPE, NATURAL, 1.9 SPG	01-31326
LLDPE, FDA BLACK, 1.0 SPG	01-31871

- NOTES:**
- CAPACITY: 200 GAL. NOMINAL
  - TANK MATERIAL OPTIONS  
LLDPE HDLPE XLPE FDA WATER PPL PVDF
  - SERVICE PRESSURE: ATMOSPHERIC
  - NSF/ANSI STANDARD 61 CERTIFIED
  - AVAILABLE W/ FRP WRAP  
CONTACT CUSTOMER SERVICE FOR ADDITIONAL INFORMATION

**PROPRIETARY AND CONFIDENTIAL**  
THE INFORMATION CONTAINED IN THIS DRAWING IS THE SOLE PROPERTY OF PEABODY ENGINEERING. ANY REPRODUCTION IN PART OR AS A WHOLE WITHOUT THE WRITTEN PERMISSION OF PEABODY ENGINEERING IS PROHIBITED.

UNLESS OTHERWISE SPECIFIED:		NAME	DATE	
DIMENSIONS ARE IN INCHES TOLERANCES: ±1/4" ANGULAR: ±.5° ONE PLACE DECIMAL: ±.25 TWO PLACE DECIMAL: ±.125 THREE PLACE DECIMAL: ±.063		DRAWN	RFR 03/29/17	
TANK MATERIAL:		CHECKED		
INNER TANK S/N:		ENG APPR.		
OUTER TANK S/N:		MFG APPR.		
CUSTOMER PO#		Q.A.		PROJECT: <b>PROCHEM® TANKS</b> CUSTOMER: <b>PEABODY STANDARD</b> SITE/LOCATION: - DRAWING#: <b>SEE TABLE</b>
DO NOT SCALE DRAWING		SIZE: <b>B</b> DESC: <b>200 GAL PROCHEM® TANK, Ø34" x 60.5"</b> REV: <b>B2</b>		SCALE: 1:12    SHEET 1 OF 1