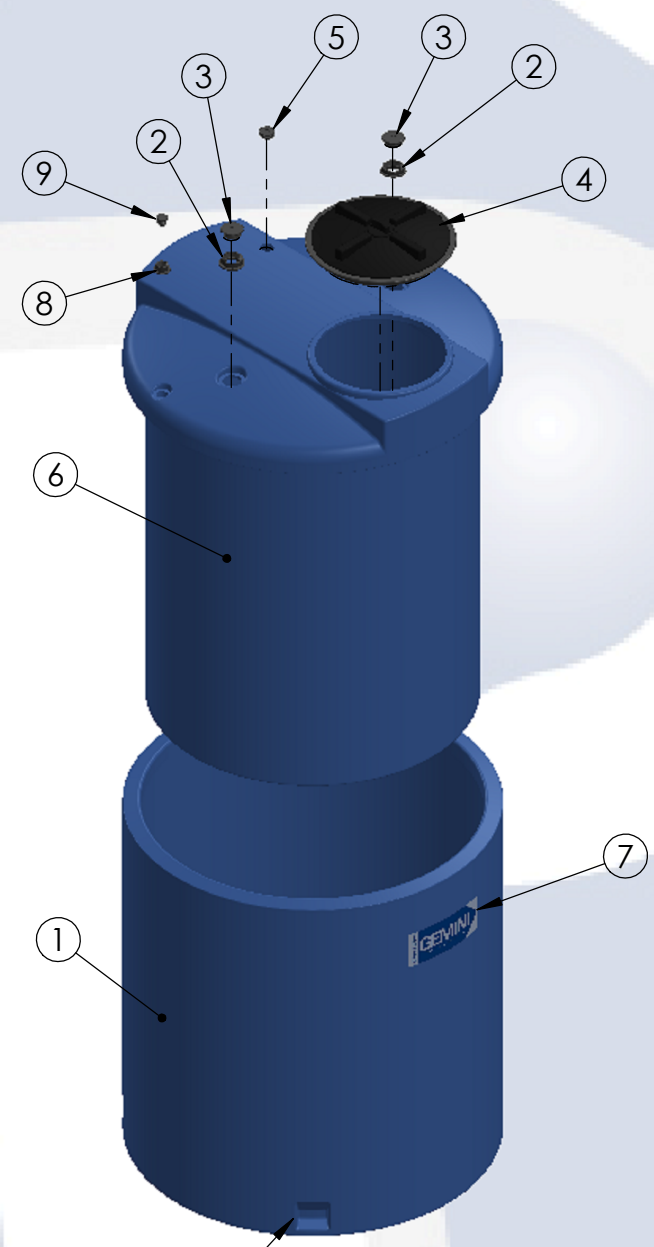


8 7 6 5 4 3 2 1

320 GALLON GEMINI	PART NUMBER	
	BLUE	NATURAL
STANDARD (1.5 SPG)	01-14873	01-1075
HD (1.9 SPG)	01-29779	01-29770



SEISMIC RESTRAINT POCKET

ITEM NO.	DESCRIPTION	QTY.
1	GEMINI 320G, SECONDARY TANK	1
2	2" FNPT SPIN WELD FITTING, PE	2
3	2" THREADED PLUG, PE	2
4	16" TWIST LID	1
5	2" CAPLUG / GROMMET SUB-ASSY	1
6	GEMINI 320G, PRIMARY TANK	1
7	LOGO	1
8	1" FNPT SPIN WELD FITTING, PE	1
9	1" THREADED PLUG, PE	1

- NOTES:**
- CAPACITY: 320 GAL. NOMINAL
  - APPROXIMATE SHIPPING WEIGHT: 210 LBS (INCLUDES PALLET)
  - TANK MATERIAL: LLDPE W/ UV INHIBITOR
  - SERVICE PRESSURE: ATMOSPHERIC

**PROPRIETARY AND CONFIDENTIAL**  
 THE INFORMATION CONTAINED IN THIS DRAWING IS THE SOLE PROPERTY OF PEABODY ENGINEERING. ANY REPRODUCTION IN PART OR AS A WHOLE WITHOUT THE WRITTEN PERMISSION OF PEABODY ENGINEERING IS PROHIBITED.

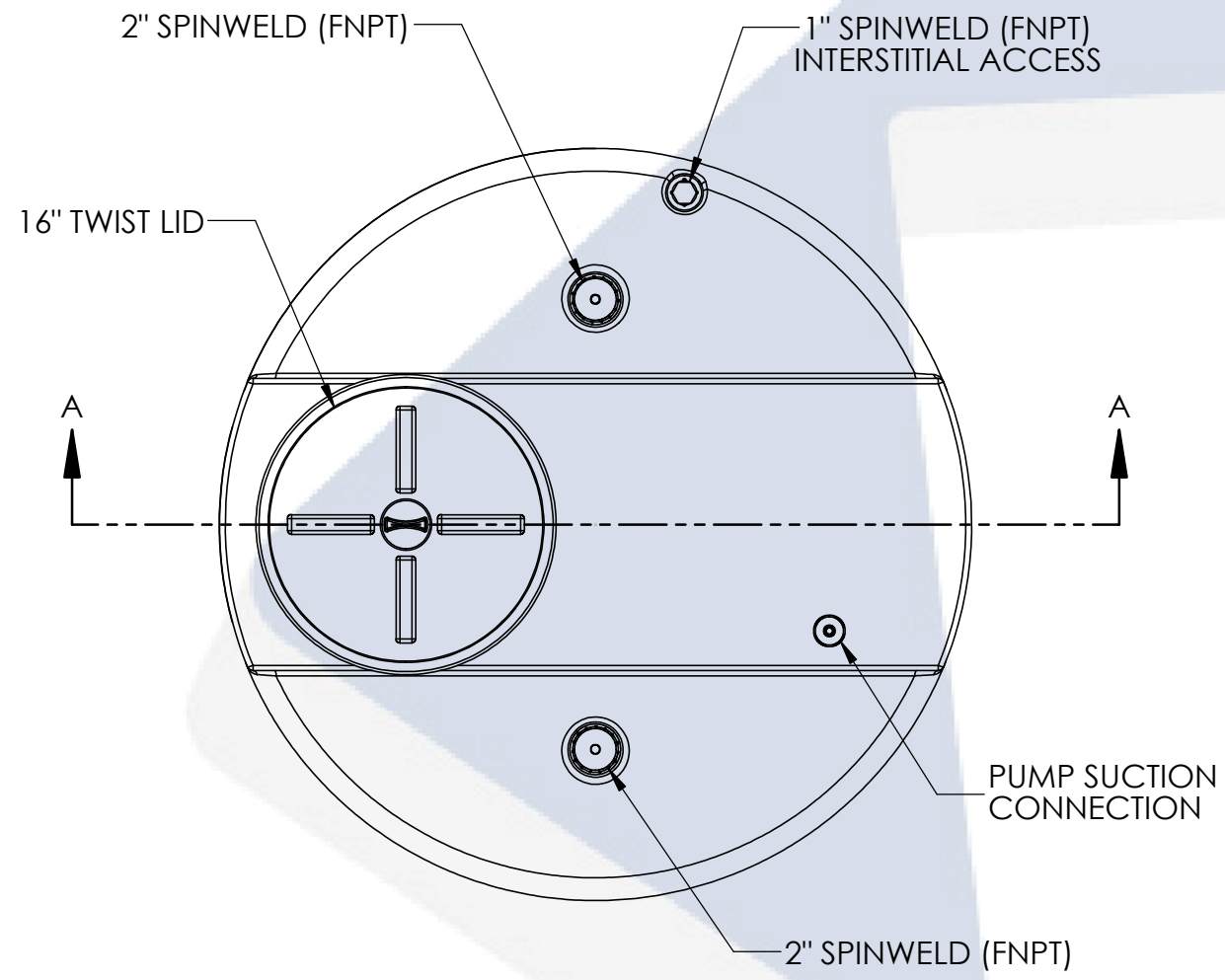
UNLESS OTHERWISE SPECIFIED:		NAME	DATE	
DIMENSIONS ARE IN INCHES TOLERANCES: ±1/4" ANGULAR: ± .5° ONE PLACE DECIMAL: ± .25 TWO PLACE DECIMAL: ± .125 THREE PLACE DECIMAL: ± .063		DRAWN	MSM 4/29/14	
TANK MATERIAL:	LLDPE	CHECKED		PROJECT: 320 GALLON GEMINI TANK ASSEMBLY
INNER TANK S/N:		ENG APPR.		CUSTOMER: PEABODY STANDARD
OUTER TANK S/N:		MFG APPR.		SITE/LOCATION: -
CUSTOMER PO#		Q.A.		DRAWING#: SEE TABLE
DO NOT SCALE DRAWING		<b>ALTERNATIVE VERSIONS</b> MATERIALS: XLPE, PPL, PVDF COLORS: NATURAL, BLUE OR BLACK AVAILABLE WITH FRP WRAP CALL FOR PART NUMBERS		SIZE B    DESC. PEABODY 320 GALLON GEMINI    REV. B
SCALE: 1:16			SHEET 1 OF 2	

8 7 6 5 4 3 2 1

8 7 6 5 4 3 2 1

D

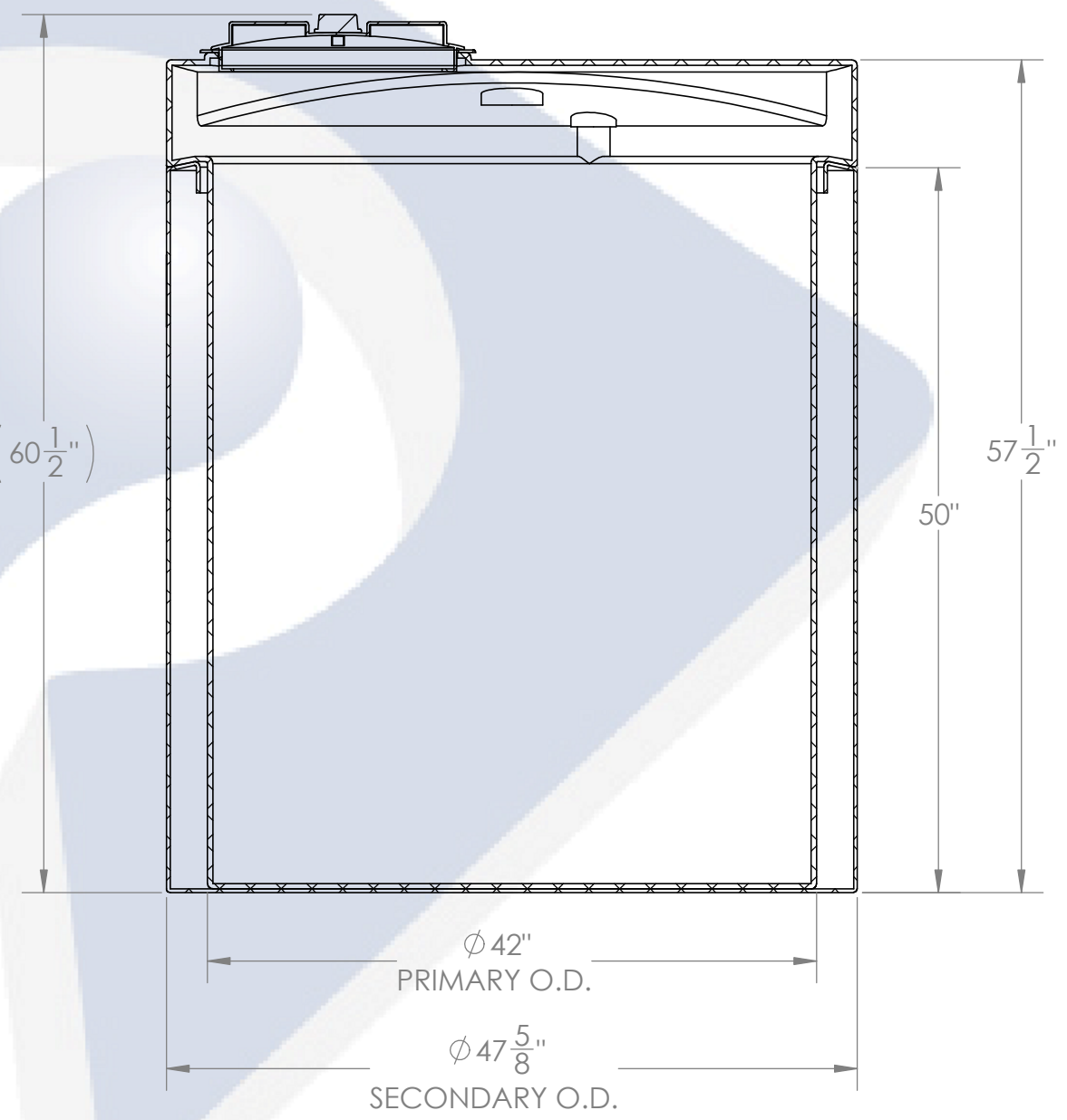
D



A

A

(60 1/2")



SECTION A-A  
SCALE 1 : 12



PROJECT:  
GEMINI 320G, TANK ASSEMBLY FOR CUSTOMER,  
REV.D

SCALE: 1:12

SHEET 2 OF 2

8 7 6 5 4 3 2 1

A

A