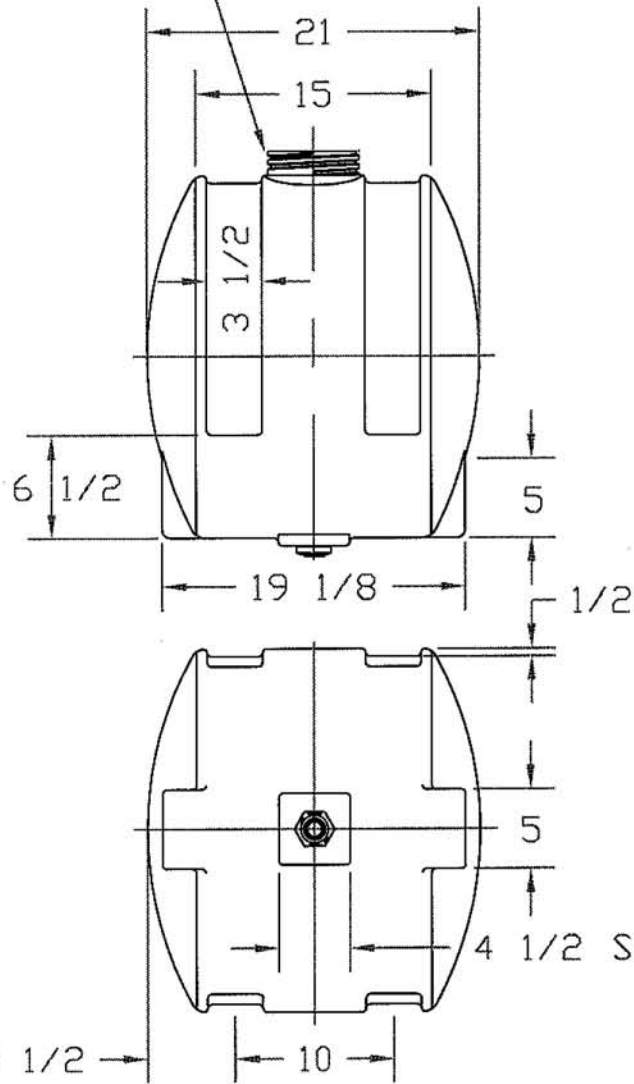
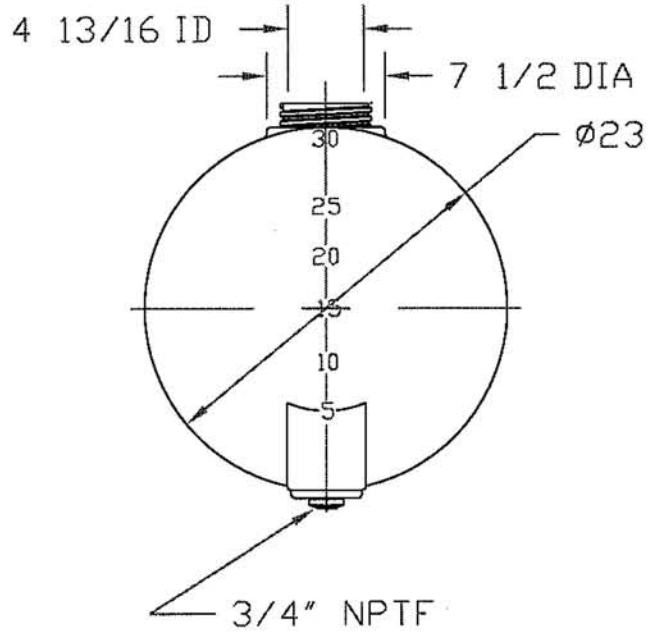



ACME THREAD
 5-3/4 MAJOR DIA
 5-3/8 MINOR DIA
 9/16 PITCH



| REVISIONS | | | | |
|-----------|-----|--------------------|---------|----------|
| ZONE | REV | DESCRIPTION | DATE | APPROVED |
| | A | REDRAWN | 25AUG97 | |
| | B | LID THREAD REVISED | 09FEB00 | |



- 18.0
- 14.9
- 11.5
- 8.1
- 5.0
- 0

| | | | | | |
|-----|---------|--|----------|---------|----------|
| | |  PEABODY engineering | | | |
| | | <h2>30 GALLON APPLICATOR TANK</h2> | | | |
| JTP | 25AUG97 | SIZE A | FSCM NO. | DWG NO. | REV B |
| | | SCALE 1/12 | | SHEET | |