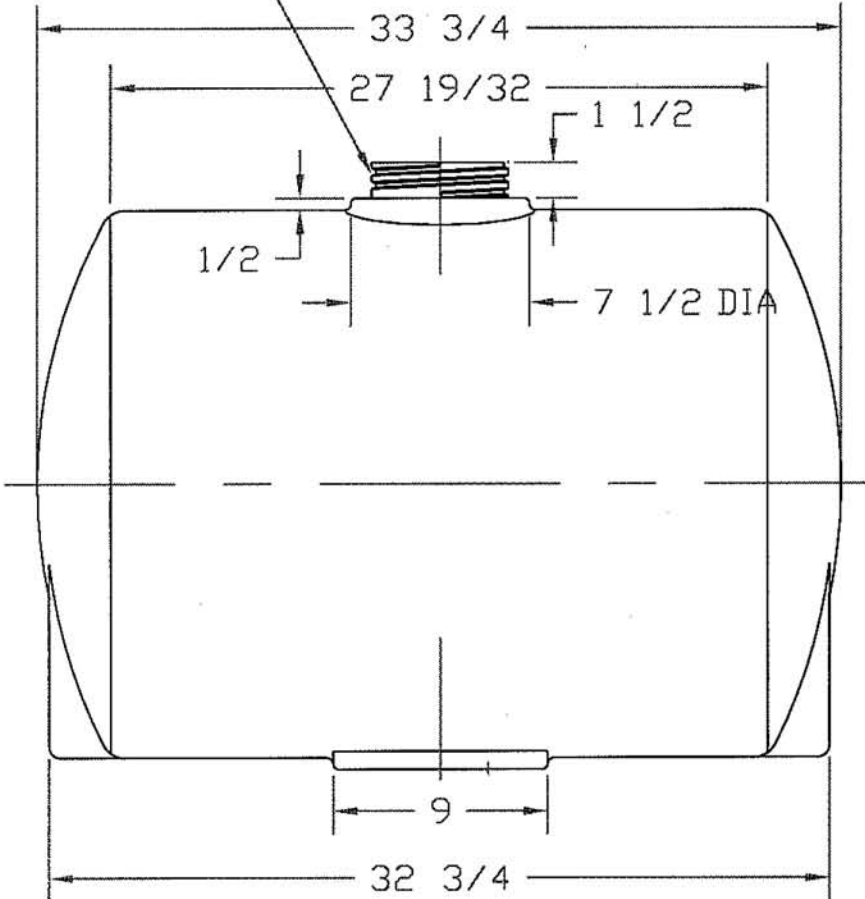
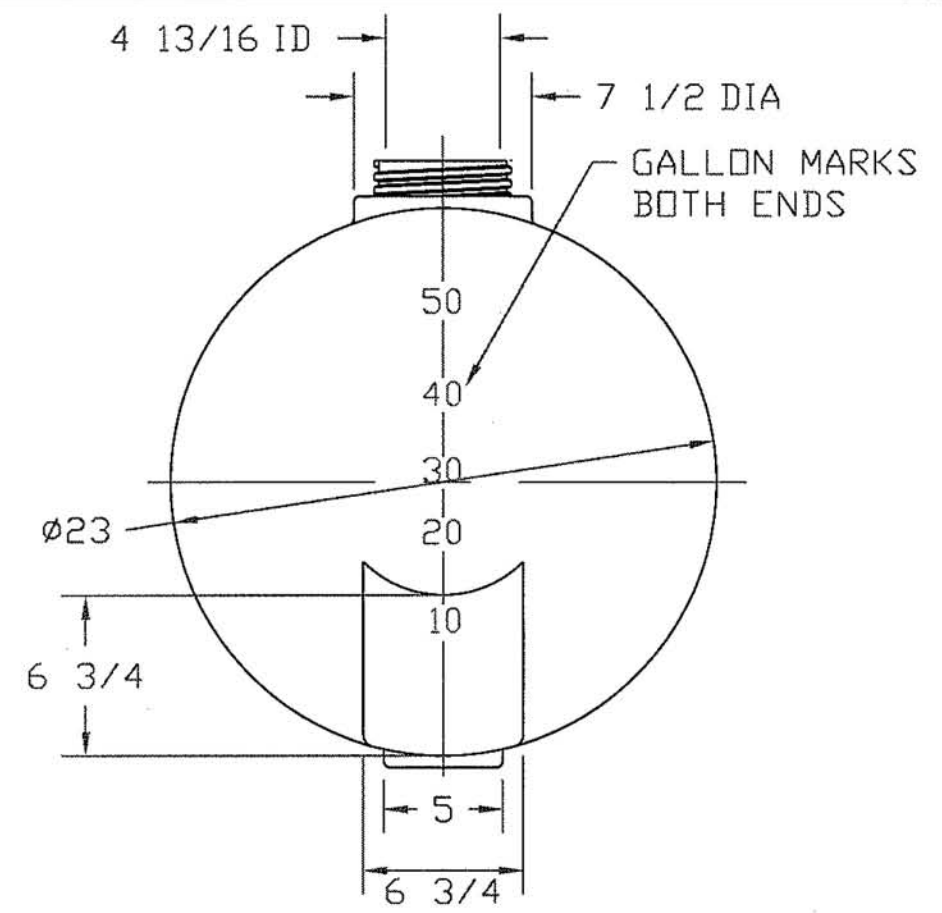



ACME THREAD  
 5-3/4 MAJOR DIA  
 5-3/8 MINOR DIA  
 9/16 PITCH



REVISIONS				
ZONE	REV	DESCRIPTION	DATE	APPROVED
	A	REDRAWN	16MAY97	
	B	LID THREAD REVISED	09FEB00	



		 <b>PEABODY</b> engineering			
		<h2>55 GALLON APPLICATOR TANK</h2>			
JTP	16MAY97	SIZE A	FSCM NO.	DWG NO.	REV B
		SCALE 1/8		SHEET	