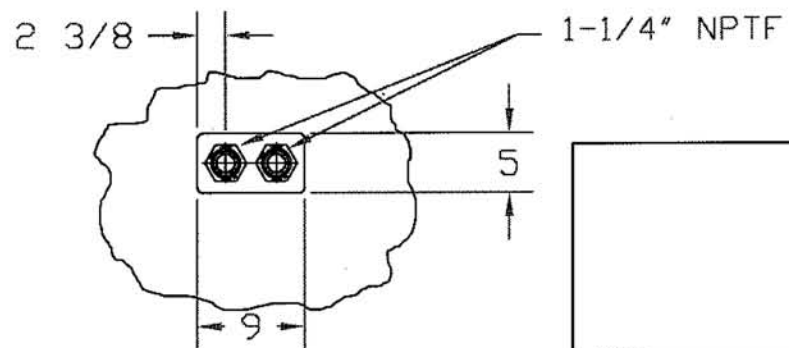
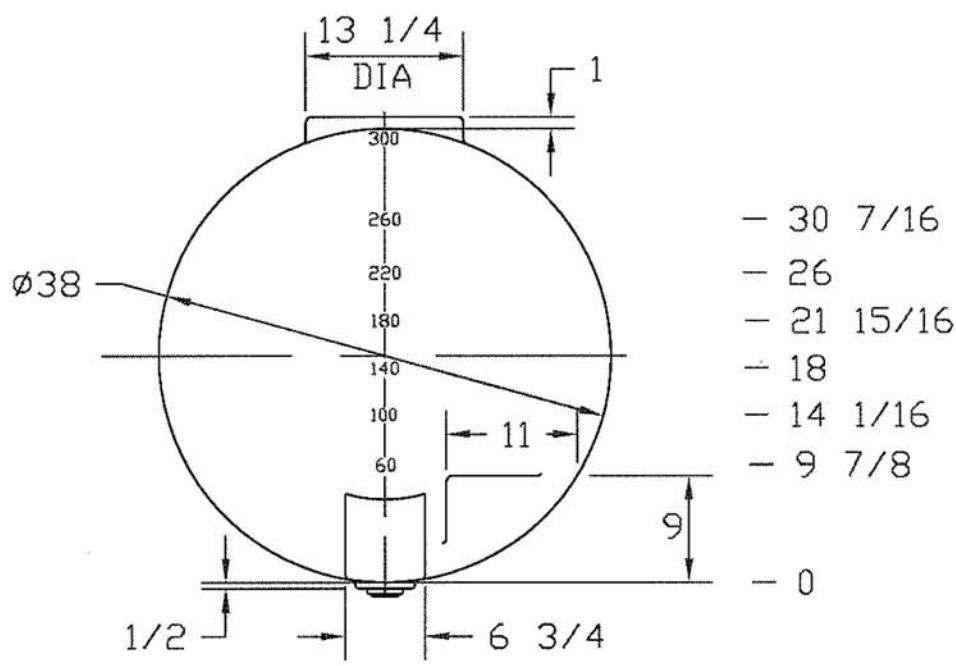
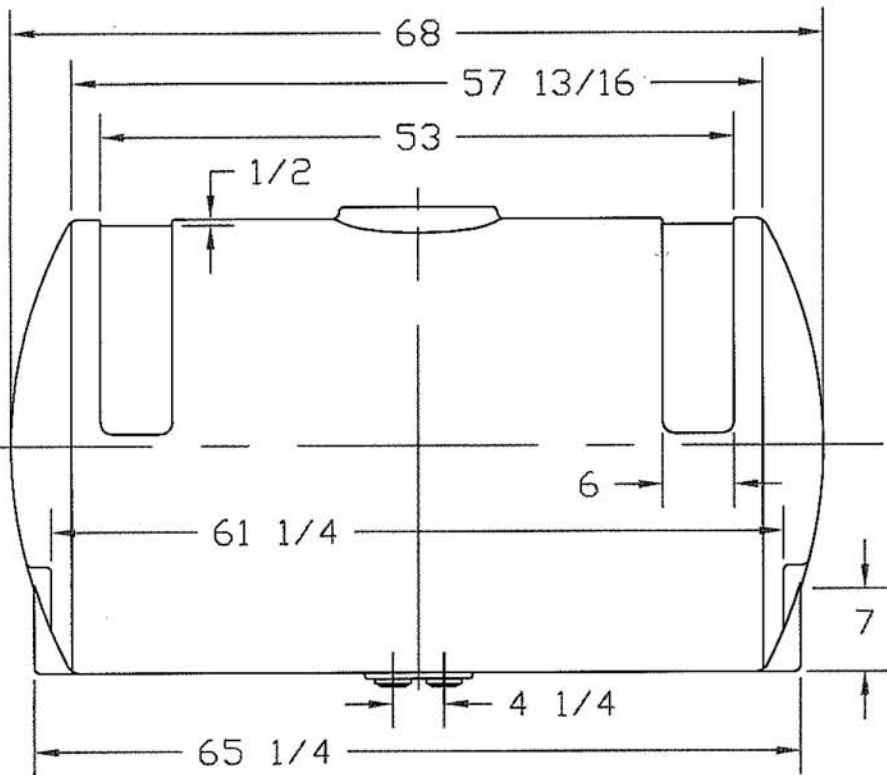



REVISIONS				
ZONE	REV	DESCRIPTION	DATE	APPROVED
	C	REDRAWN	20AUG97	
	D	FITTINGS UPDATED	09DEC02	



		 PEABODY engineering	
<h2>300 GALLON APPLICATOR TANK</h2>			
JTP	20AUG97	SIZE A	FSCM NO.
		DWG NO.	REV D
SCALE 1/16		SHEET	