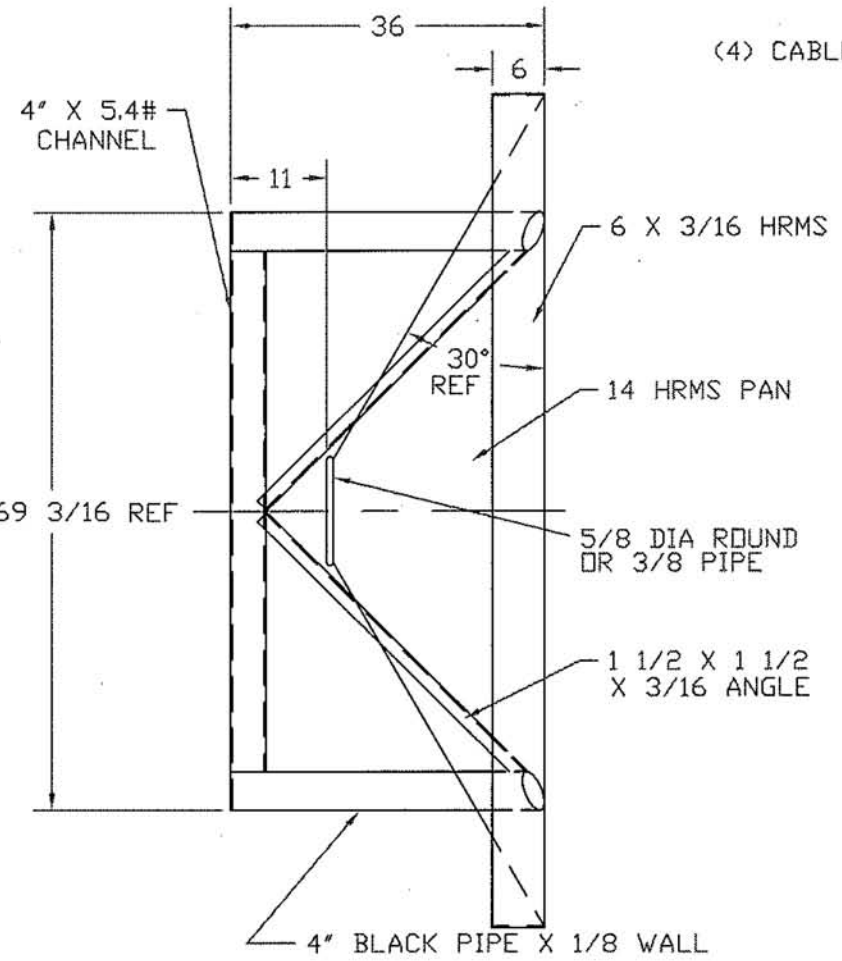
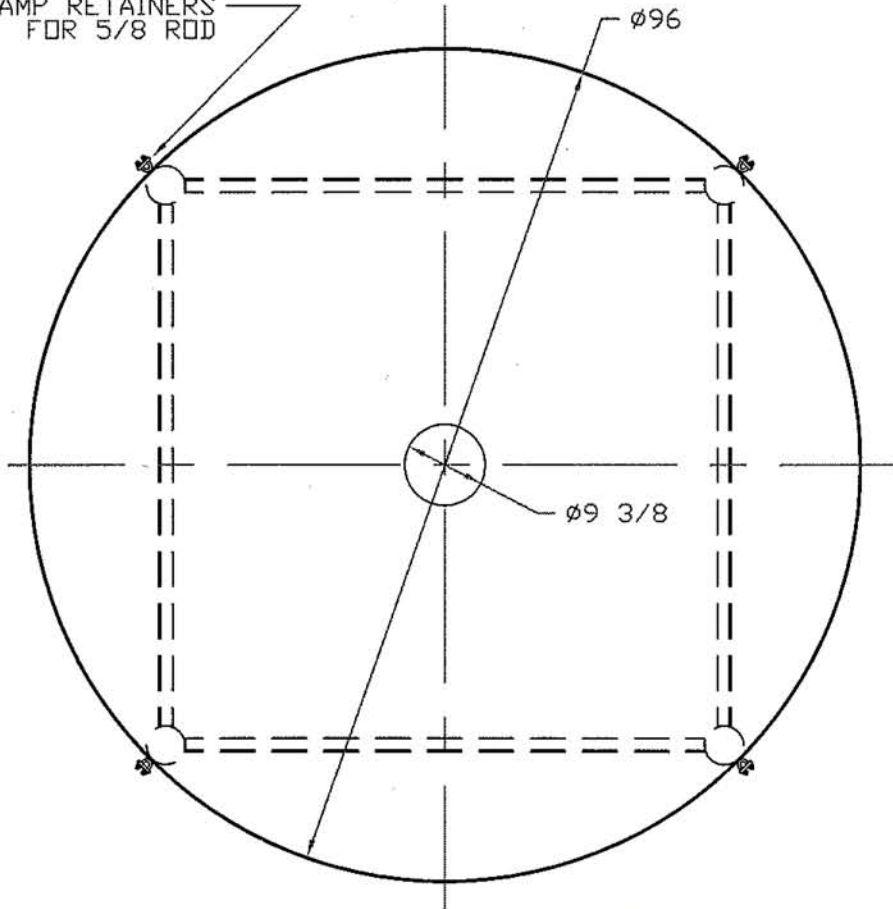



ZONE		REV	DESCRIPTION	DATE	APPROVED

REVISIONS



(4) CABLE CLAMP RETAINERS FOR 5/8 ROD



JTP 07MAR97		 PEABODY engineering	
		STEEL STAND, 2500, 3000 C/B TANKS	
SIZE B	FSCM NO.	DWG NO.	REV
SCALE 1/16		SHEET	