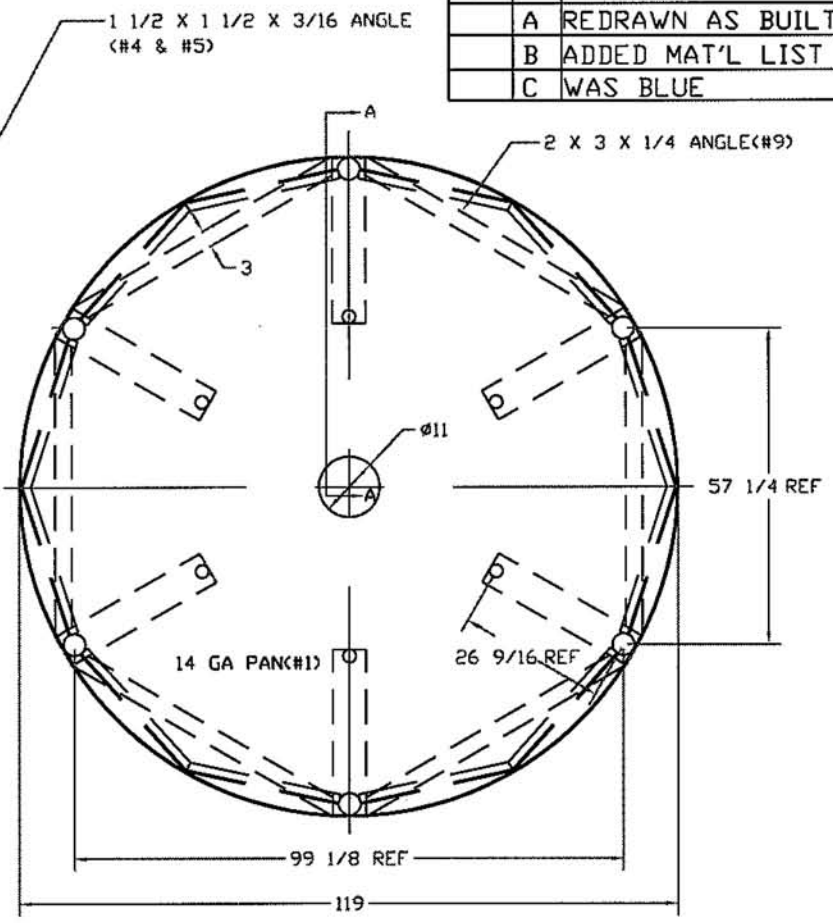
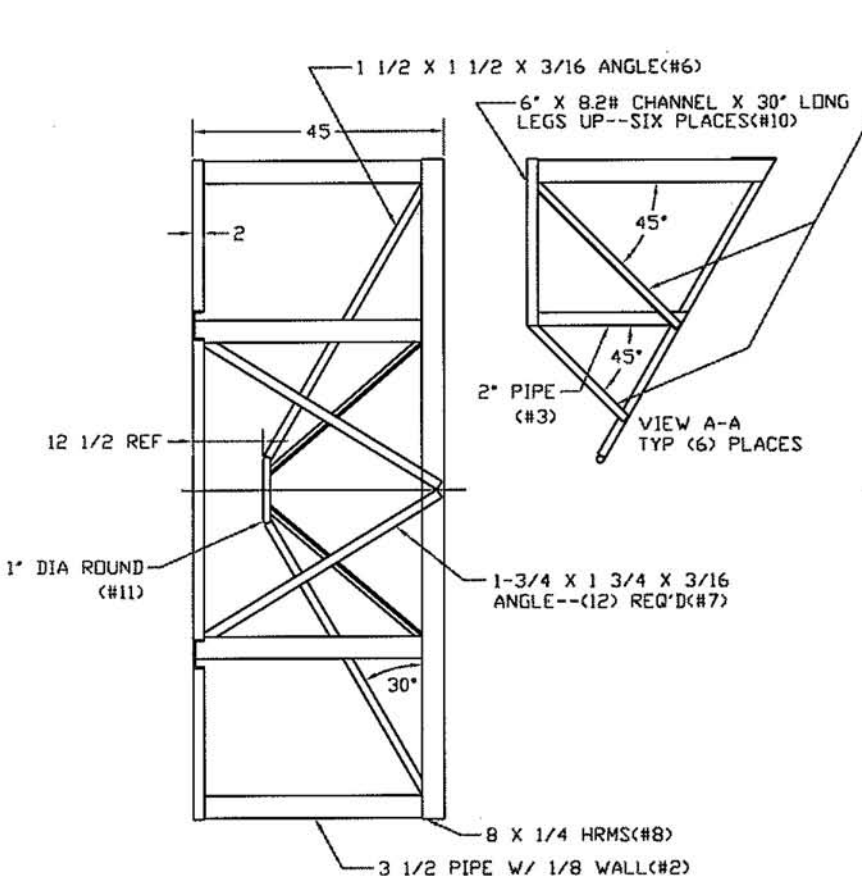


ZONE	REV	DESCRIPTION	DATE	APPROVED
	A	REDRAWN AS BUILT	12OCT94	
	B	ADDED MAT'L LIST	26JUN00	
	C	WAS BLUE	27FEB02	



PAINT BLACK	 PEABODY engineering		
	STEEL STAND, 5500 GAL CONE BOTTOM TANK		
JTP 12OCT94	SIZE B	FSCM NO.	DWG NO. -----
SCALE 1/24		SHEET	
			REV C