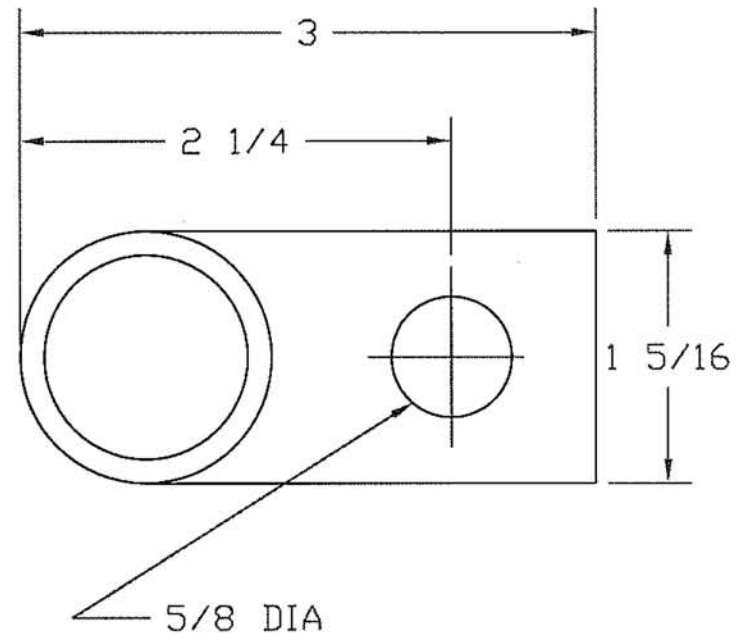
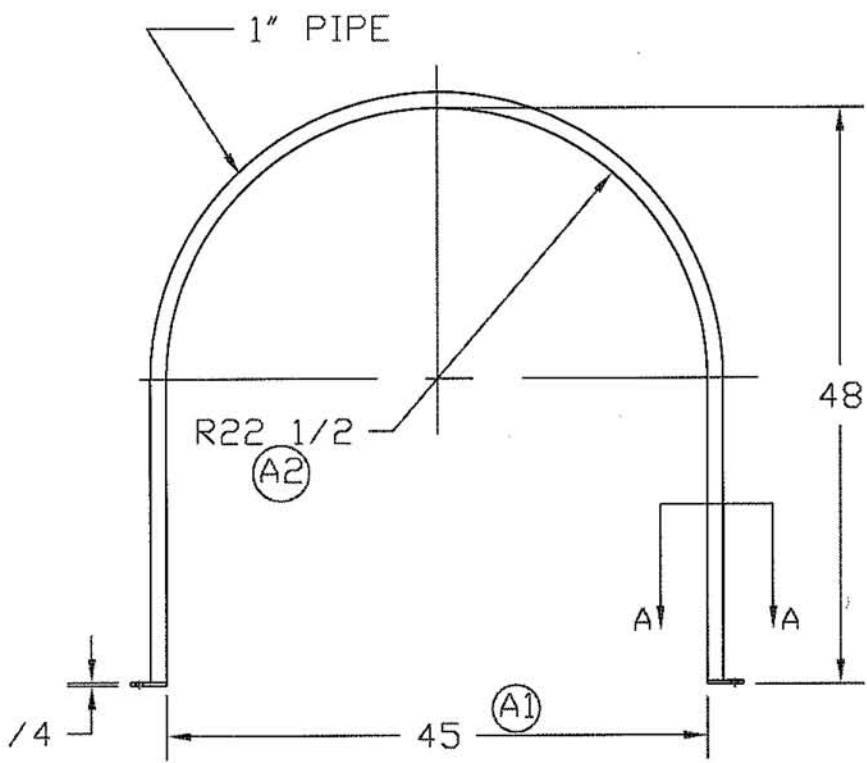



REVISIONS

ZONE	REV	DESCRIPTION	DATE	APPROVED
	A	1,2--DIMS UPDATED	03AUG99	



VIEW A-A FULL SCALE

FINISH: HOT-DIPPED GALVANIZED

					
		BAND, 1010 LONG			
JTP	8AUG96	SIZE A	FSCM NO.	DWG NO.	REV A
		SCALE 1/16			SHEET