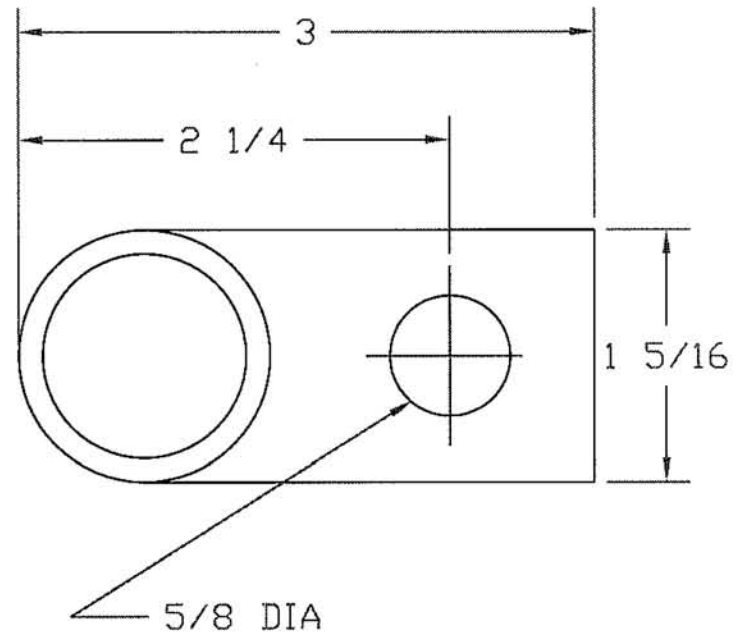
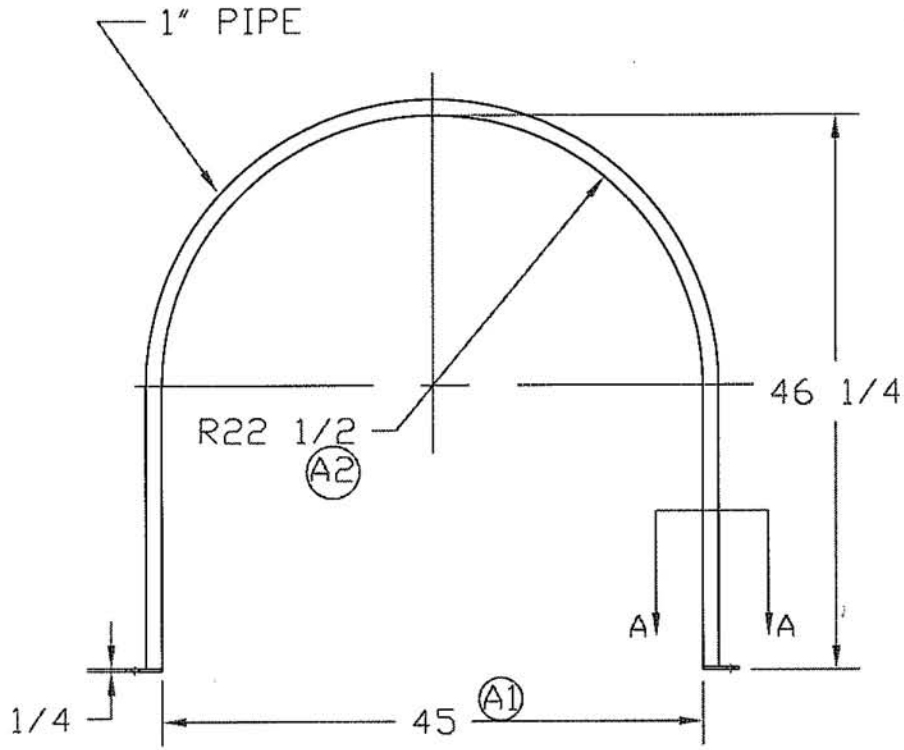



REVISIONS				
ZONE	REV	DESCRIPTION	DATE	APPROVED
	A	1,2--DIMS UPDATED	03AUG99	



VIEW A-A FULL SCALE

FINISH: HOT-DIPPED GALVANIZED

			
BAND, 1010 SHORT & 710			
JTP	8AUG96	SIZE A	FSCM NO.
		DWG NO.	REV A
SCALE 1/16		SHEET	