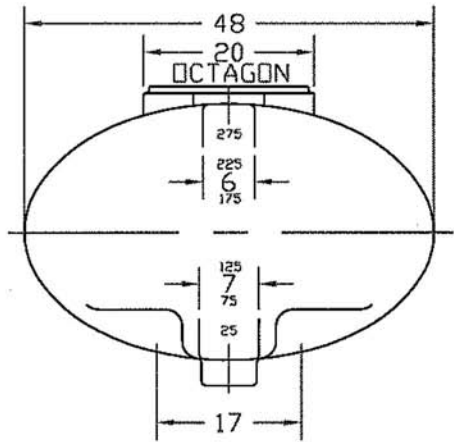
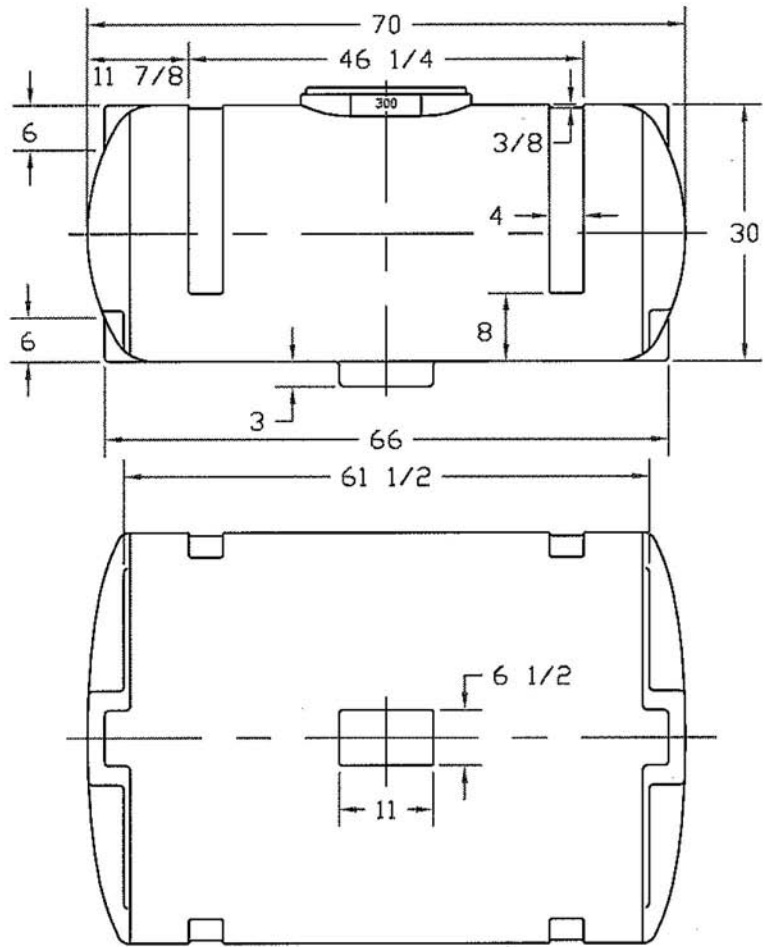
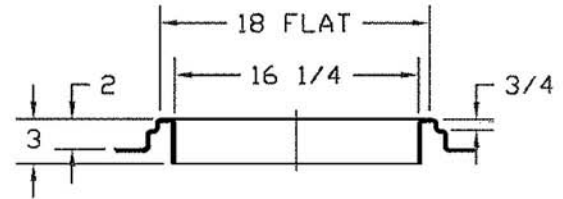



REVISIONS				
ZONE	REV	DESCRIPTION	DATE	APPROVED
	A	REDRAWN--FILL WAS 8"	21NOV95	



CL (4) SPARGER FLATS, 6 X 6



FILLWELL DETAIL

		 PEABODY engineering	
300 GALLON ELLIPTICAL SPRAYER TANK			
JTP	21NOV95	SIZE B	FSCM NO.
		DWG NO.	REV A
		SCALE 1/16	SHEET