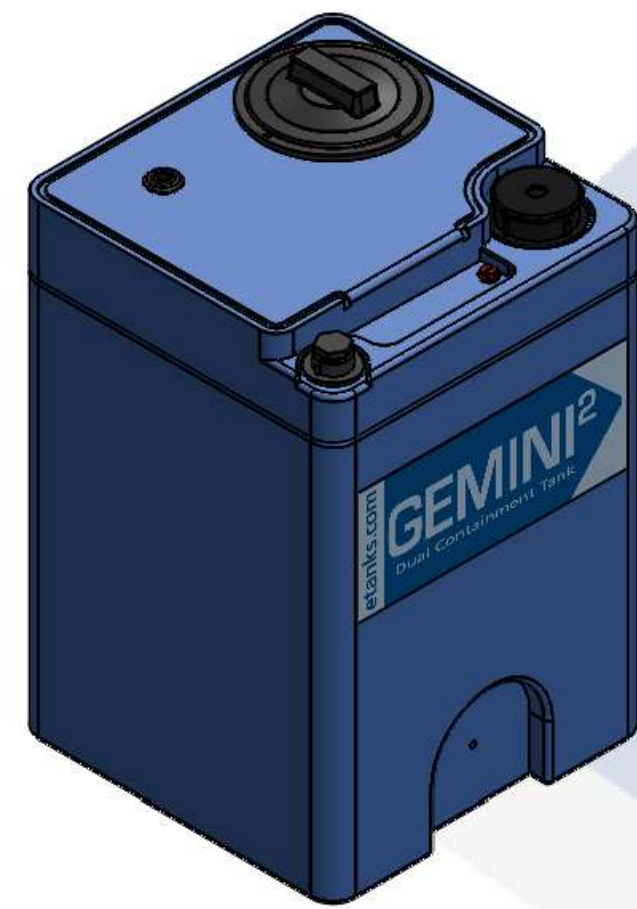
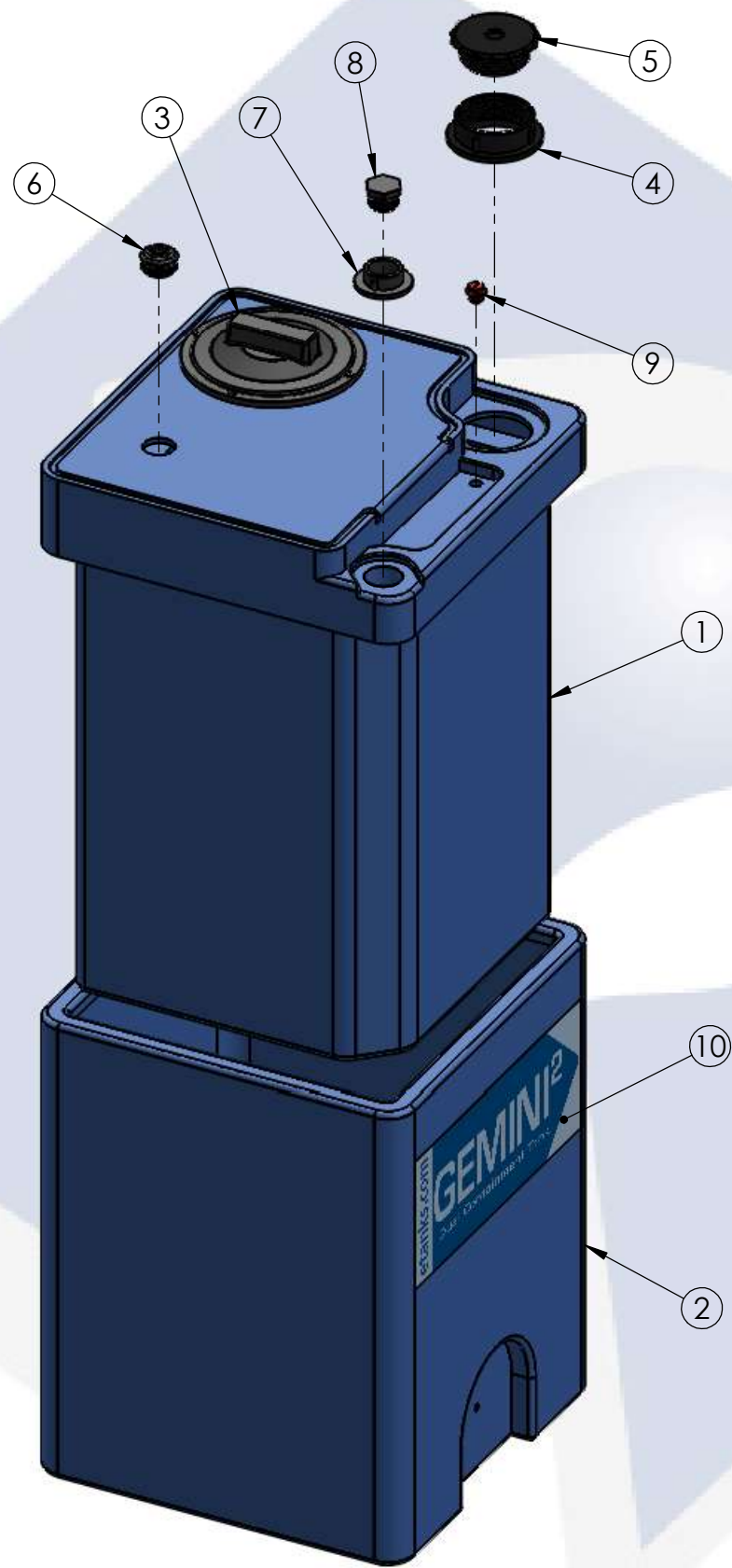


10 GALLON GEMINI ²	PART NUMBER	
	BLUE	NATURAL
STANDARD (1.5 SPG)	01-29816	01-29820
HD (1.9 SPG)	01-30044	01-30048



**ISO VIEW
(ASSEMBLED)**



**ISO VIEW
(EXPLODED)**

ALTERNATE CONFIGURATION TO MEET NSF/ANSI STANDARD 61 AVAILABLE

TOP LEVEL ASSEMBLY		
ITEM NO.	DESCRIPTION	QTY.
1	10G GEMINI ² , INNER TANK	1
2	10G GEMINI ² , OUTER TANK	1
3	4" TWIST LID ASSEMBLY	1
4	Ø2" FNPT SPIN WELD FITTING, PE, BLACK	1
5	Ø2" MPT PLUG, PE, BLACK	1
6	1-1/4" CAPLUG / GROMMET SUB-ASSY	1
7	Ø3/4" FNPT SPIN WELD FITTING, PE	1
8	Ø3/4" MPT PLUG, PE, BLACK	1
9	RED CAPLUG / O-RING SUB-ASSY	1
10	GEMINI ² MOLD IN LOGO	1

- NOTES:**
- CAPACITY: 10 GAL. NOMINAL
 - APPROXIMATE WEIGHT: 15 LBS
 - TANK MATERIAL: LLDPE W/ UV INHIBITOR
 - SERVICE PRESSURE: ATMOSPHERIC
 - SECONDARY HOLDS 139% OF PRIMARY CAPACITY

PROPRIETARY AND CONFIDENTIAL
THE INFORMATION CONTAINED IN THIS DRAWING IS THE SOLE PROPERTY OF PEABODY ENGINEERING. ANY REPRODUCTION IN PART OR AS A WHOLE WITHOUT THE WRITTEN PERMISSION OF PEABODY ENGINEERING IS PROHIBITED.

UNLESS OTHERWISE SPECIFIED:
DIMENSIONS ARE IN INCHES
TOLERANCES: ±1/4"
ANGULAR: ±.5°
ONE PLACE DECIMAL: ±.25
TWO PLACE DECIMAL: ±.125
THREE PLACE DECIMAL: ±.063

TANK MATERIAL: LLDPE
INNER TANK S/N:
OUTER TANK S/N:
CUSTOMER PO#

DO NOT SCALE DRAWING

NAME	DATE
DRAWN: MSM	7/29/15
CHECKED:	
ENG APPR.:	
MFG APPR.:	
Q.A.:	

ALTERNATIVE VERSIONS
MATERIALS: XLPE, PPL, PVDF
COLORS: NATURAL, BLUE OR BLACK
AVAILABLE WITH FRP WRAP

CALL FOR PART NUMBERS

PEABODY
ENGINEERING

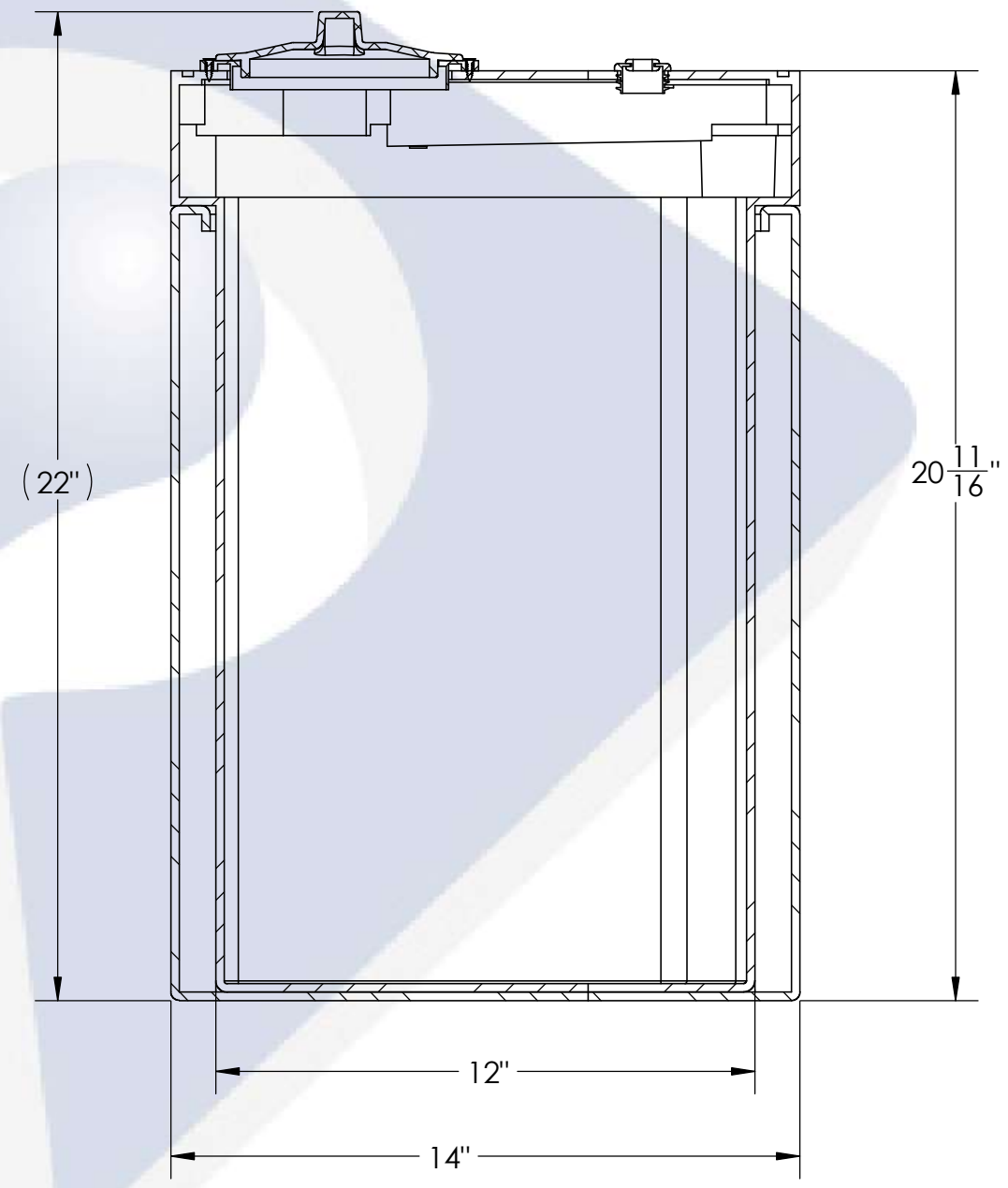
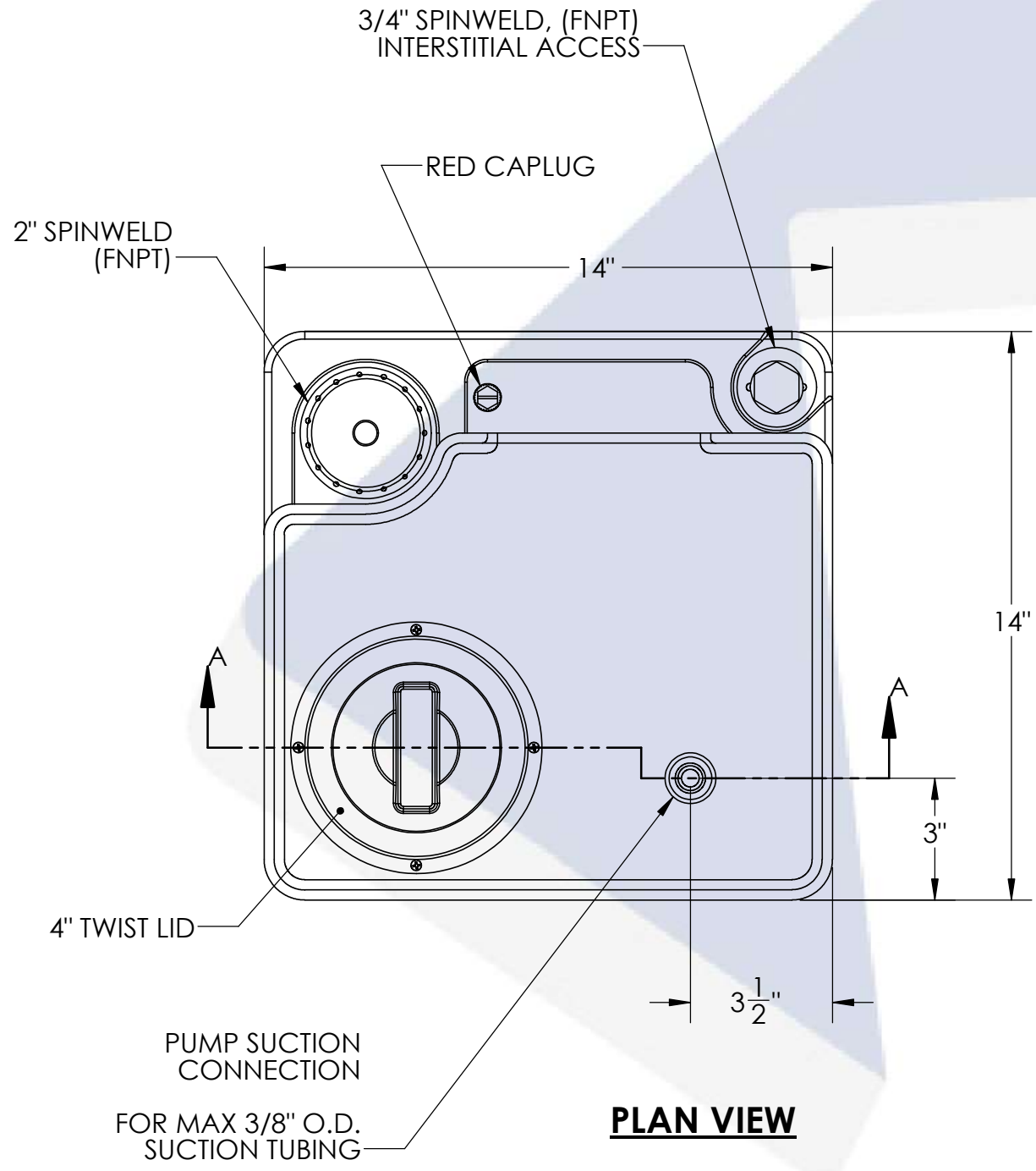
PROJECT: 10 GALLON GEMINI² TANK ASSEMBLY
CUSTOMER: PEABODY STANDARD
SITE/LOCATION: -
DRAWING#: SEE TABLE

SIZE	DESC.	REV.
B	PEABODY 10 GALLON GEMINI ² TANK ASSEMBLY	D

SCALE: 1:6 SHEET 1 OF 2

8 7 6 5 4 3 2 1

D
C
B
A



PROJECT:
10G GEMINI², ASSEMBLY, REV D

SCALE: 1:4

SHEET 2 OF 2

8 7 6 5 4 3 2 1