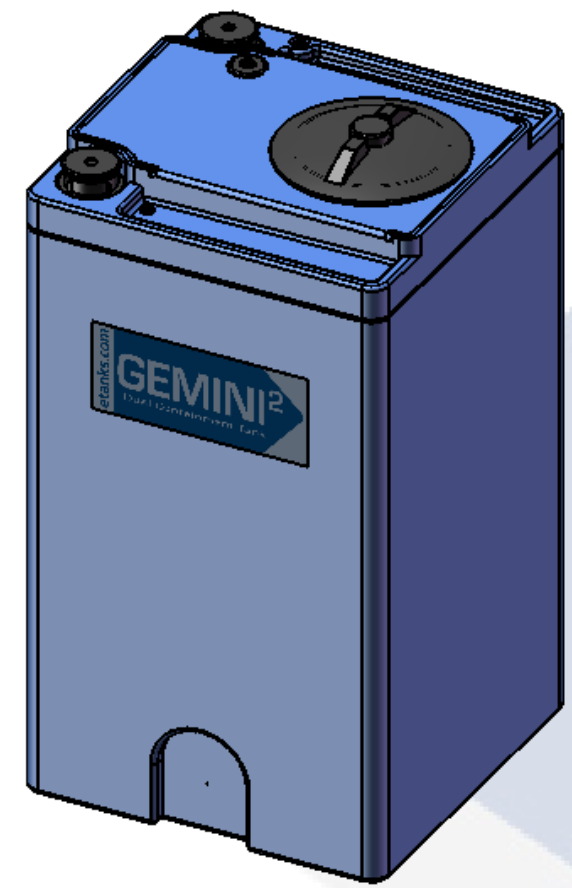
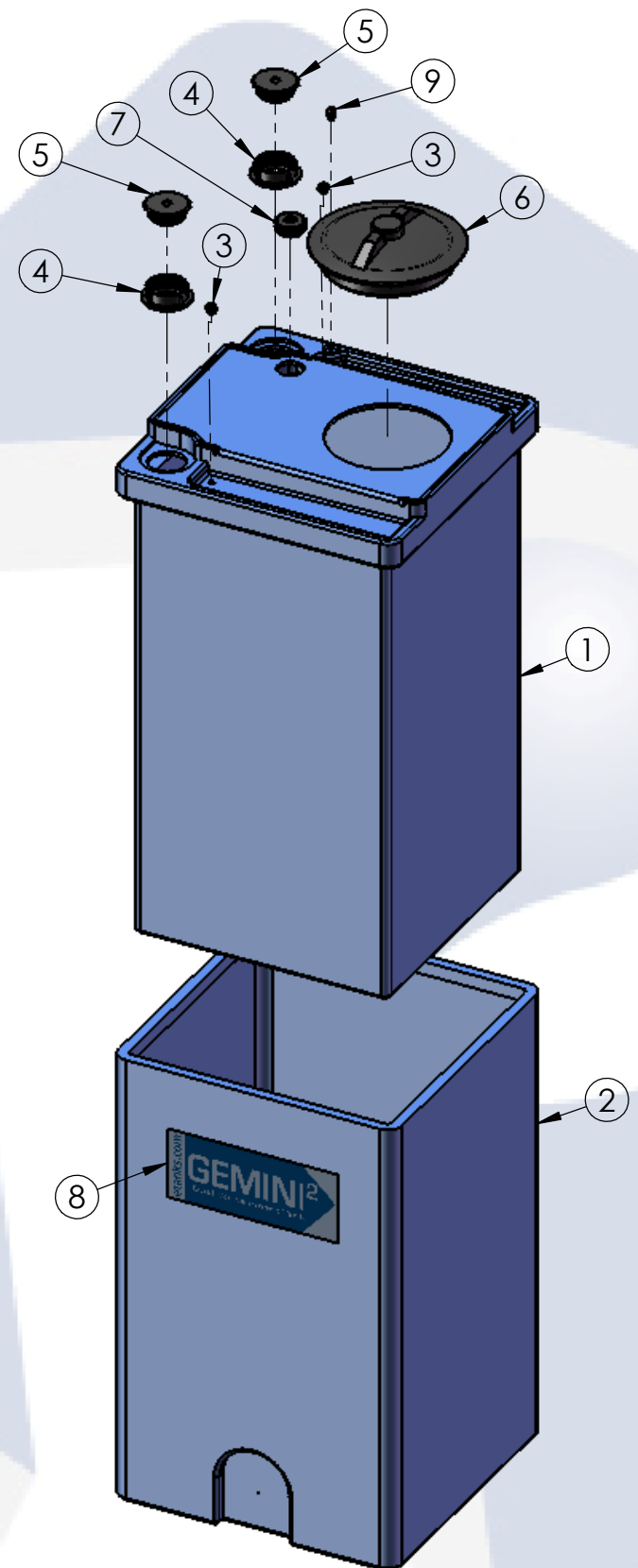


8 7 6 5 4 3 2 1

40 GALLON GEMINI <sup>2</sup>	PART NUMBER	
	BLUE	NATURAL
STANDARD (1.5 SPG)	01-29655	01-29659
HD (1.9 SPG)	01-30060	01-30064



**ISO VIEW  
ASSEMBLED**




**TRIMETRIC VIEW  
EXPLODED**

**TOP LEVEL ASSEMBLY BOM**

ITEM NO.	DESCRIPTION	QTY.
1	GEMINI <sup>2</sup> , 40G INNER TANK	1
2	GEMINI <sup>2</sup> , 40G OUTER TANK	1
3	RED CAPLUG / O-RING SUB-ASSY	2
4	2" FNPT SPIN WELD FITTING, PE	2
5	2" THREADED PLUG, PE	2
6	8" TWIST LID ASSEMBLY	1
7	2" CAPLUG / GROMMET SUB-ASSY	1
8	LOGO	1
9	PLUG, 1/4" NPT, RED CAPLUG	1

- NOTES:**
- CAPACITY: 40 GAL. NOMINAL
  - APPROXIMATE WEIGHT: 45 LBS
  - TANK MATERIAL: LLDPE W/ UV INHIBITOR
  - SERVICE PRESSURE: ATMOSPHERIC

**PROPRIETARY AND CONFIDENTIAL**  
THE INFORMATION CONTAINED IN THIS DRAWING IS THE SOLE PROPERTY OF PEABODY ENGINEERING. ANY REPRODUCTION IN PART OR AS A WHOLE WITHOUT THE WRITTEN PERMISSION OF PEABODY ENGINEERING IS PROHIBITED.

UNLESS OTHERWISE SPECIFIED:		NAME	DATE	 <b>PROJECT: 40 GALLON OPEN TOP TANK ASSEMBLY</b> <b>CUSTOMER: PEABODY STANDARD</b> SITE/LOCATION: - DRAWING#: <b>SEE TABLE</b>
DIMENSIONS ARE IN INCHES TOLERANCES: ±1/4" ANGULAR: ±.5° ONE PLACE DECIMAL: ±.25 TWO PLACE DECIMAL: ±.125 THREE PLACE DECIMAL: ±.063		DRAWN	<b>MSM 11/25/13</b>	
TANK MATERIAL:	<b>LLDPE</b>	Q.A.		SIZE <b>B</b> DESC. <b>PEABODY 40GALLON GEMINI<sup>2</sup> TANK ASSEMBLY</b> REV. <b>E</b>
INNER TANK S/N:		<b>ALTERNATIVE VERSIONS</b> MATERIALS: XLPE, PPL, PVDF COLORS: NATURAL, BLUE OR BLACK AVAILABLE WITH FRP WRAP		
OUTER TANK S/N:		<b>CALL FOR PART NUMBERS</b>		SCALE: 1:12    SHEET 1 OF 2
CUSTOMER PO#				
DO NOT SCALE DRAWING				

8 7 6 5 4 3 2 1

8 7 6 5 4 3 2 1

D

D

C

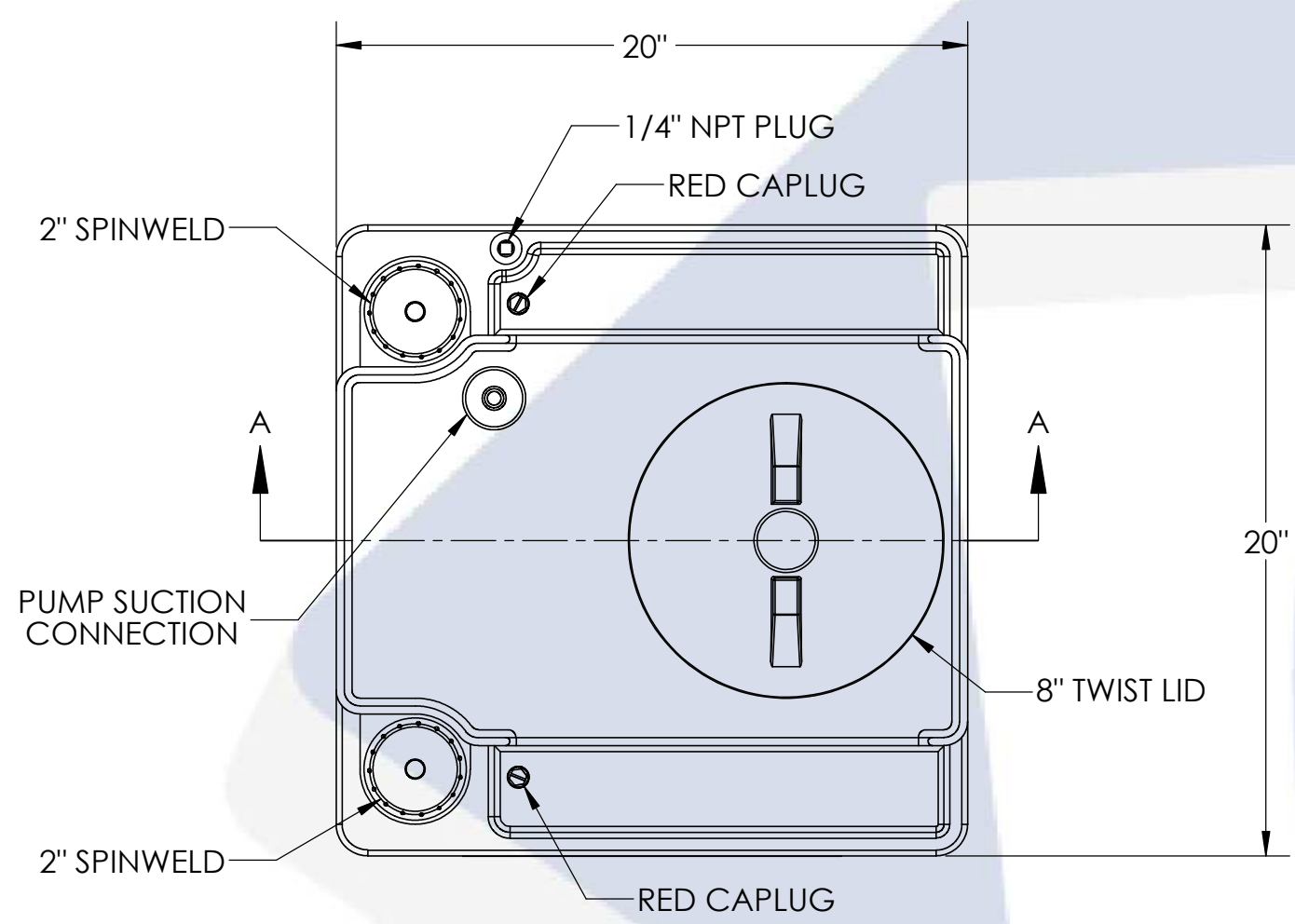
C

B

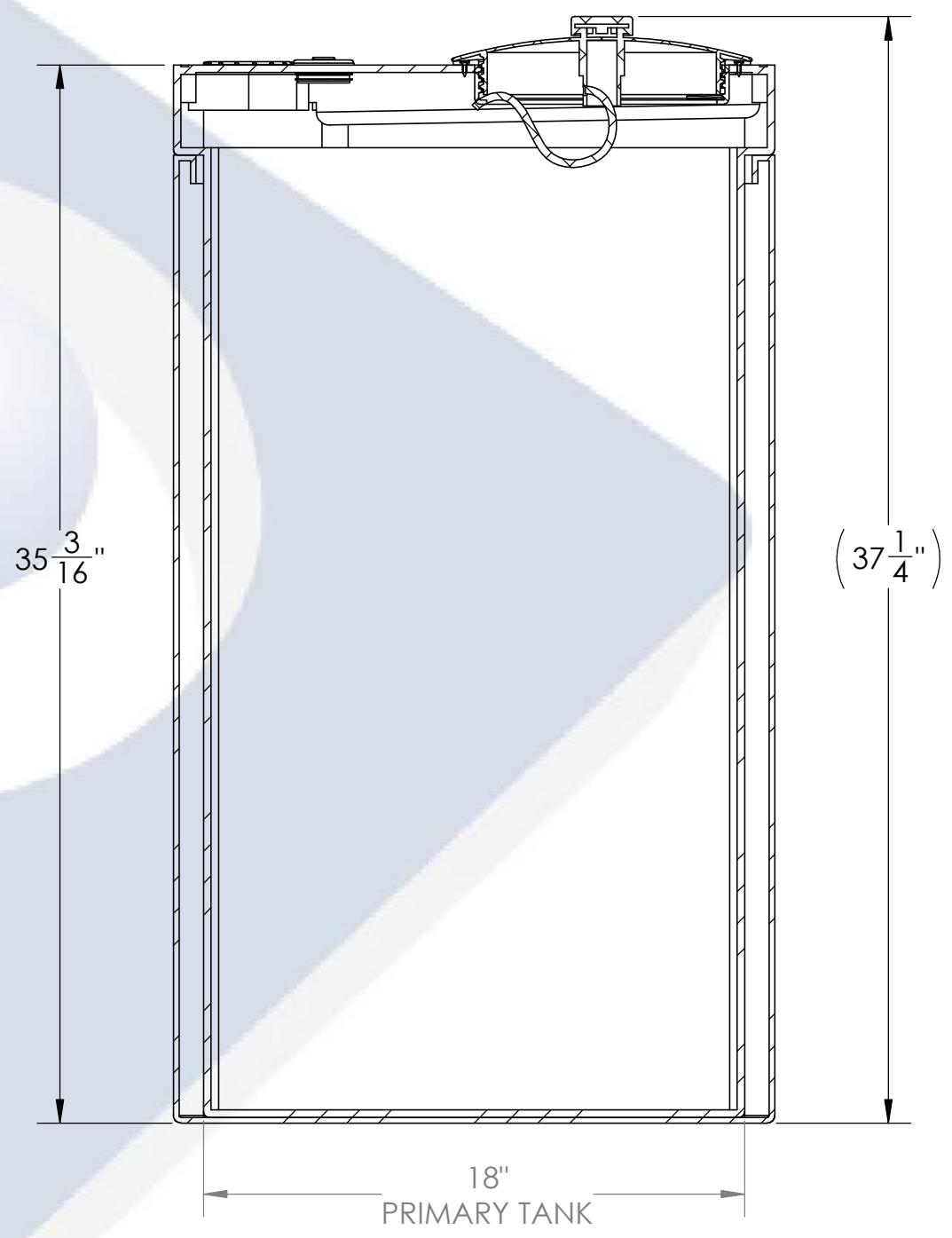
B

A

A



**PLAN VIEW**



**SECTION A-A**  
**SCALE 1 : 6**



PROJECT:  
40G GEMINI<sup>®</sup>, ASSEMBLY FOR CUSTOMER, REV.E

SCALE: 1:12

SHEET 2 OF 2

8 7 6 5 4 3 2 1