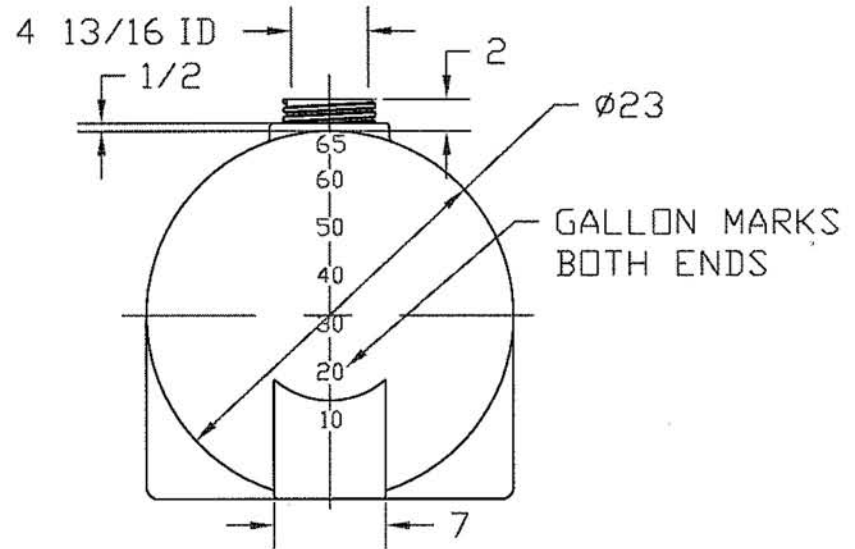
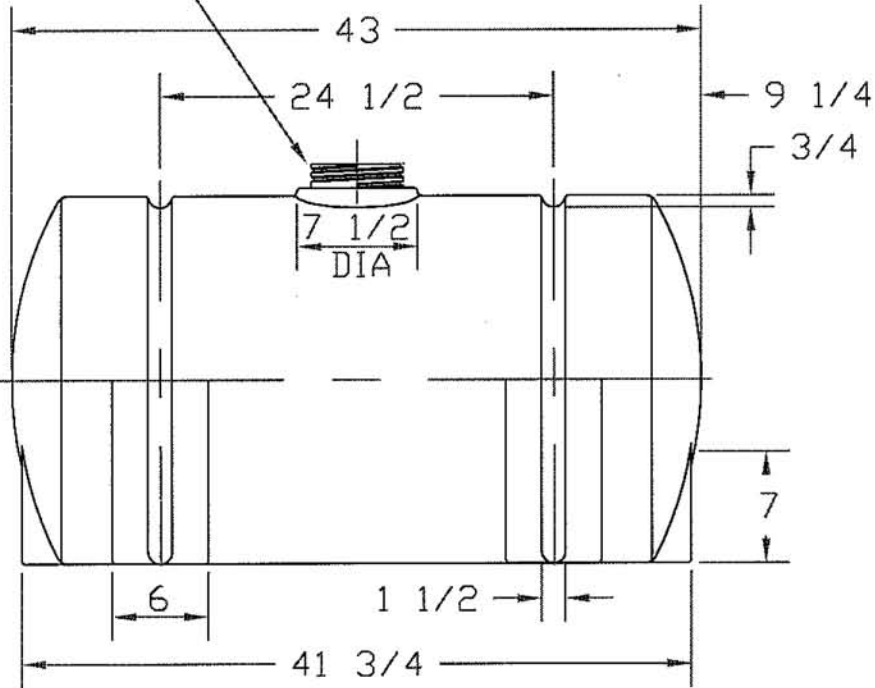



REVISIONS				
ZONE	REV	DESCRIPTION	DATE	APPROVED
	A	REDRAWN	7JAN97	
	B	LID THREAD REVISED	09FEB00	

ACME THREAD  
 5-3/4 MAJOR DIA  
 5-3/8 MINOR DIA  
 9/16 PITCH



		 <b>PEABODY</b> engineering			
		65 GALLON HORIZONTAL TANK			
JTP	07JAN97	SIZE A	FSCM NO.	DWG NO.	REV B
		SCALE 1/12		SHEET	