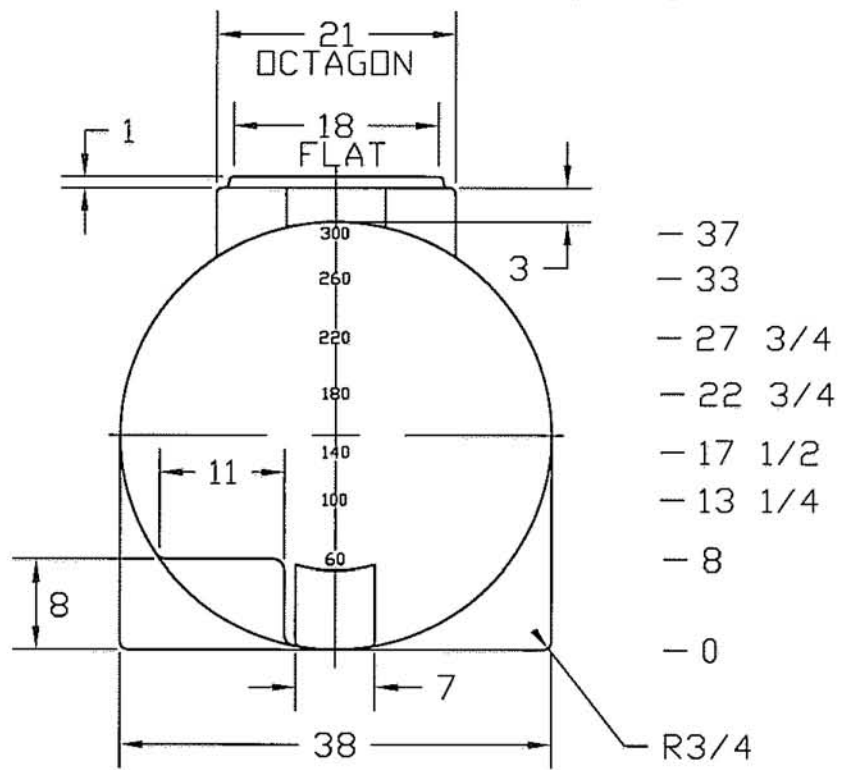
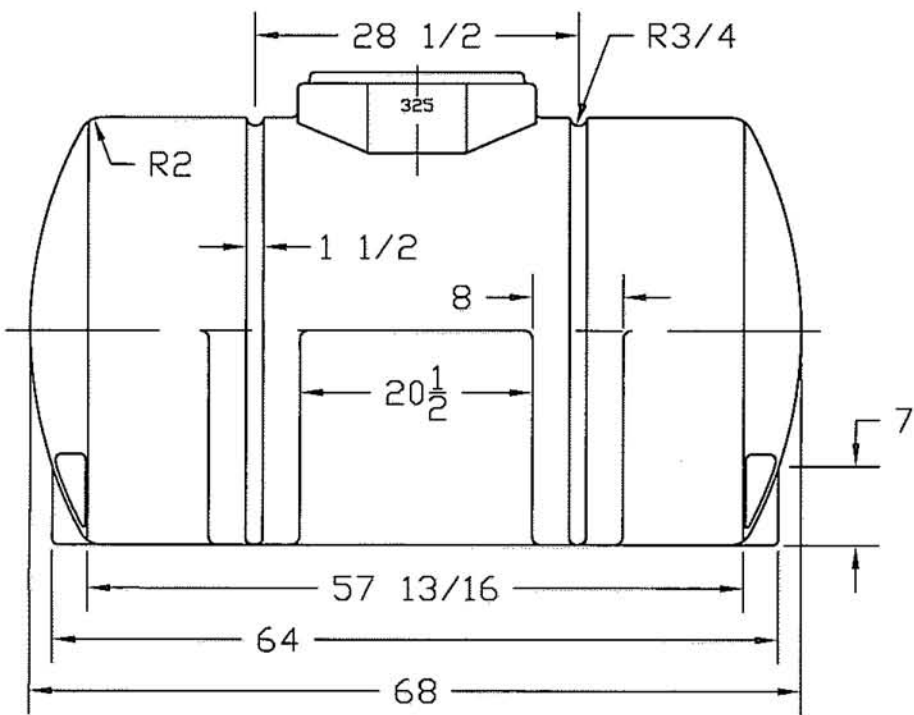



REVISIONS				
ZONE	REV	DESCRIPTION	DATE	APPROVED
	A	REDRAWN	14AUG97	



GALLON MARKS BOTH ENDS

				
		<h3>325 GALLON HORIZONTAL LEG TANK</h3>		
JTP	14AUG97	SIZE A	FSCM NO.	DWG NO.
		SCALE 1/16	SHEET	