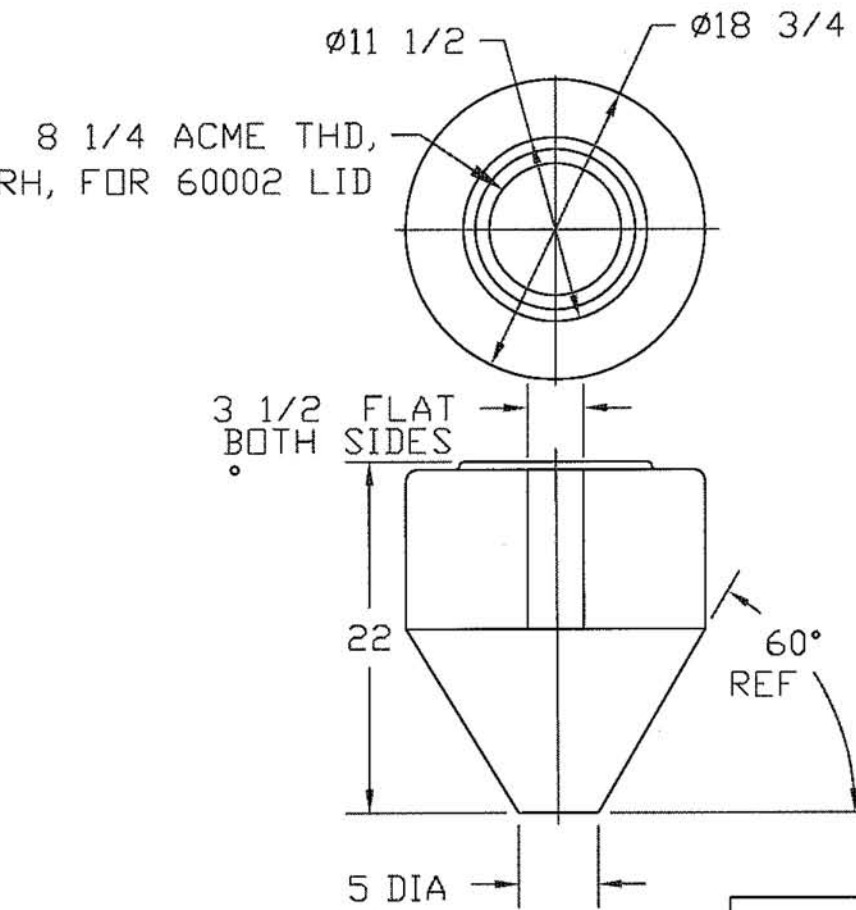
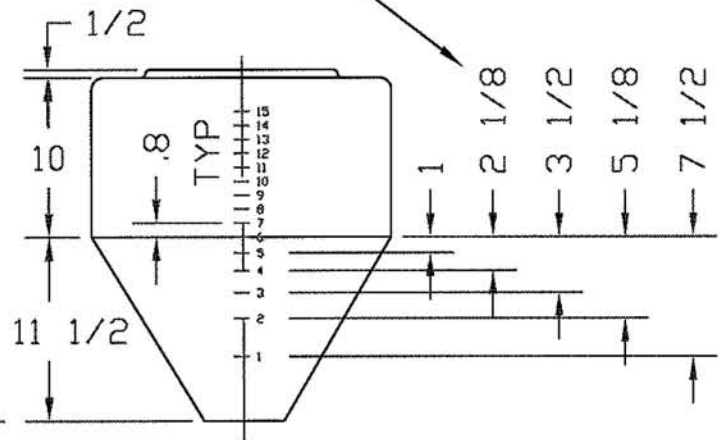



REVISIONS				
ZONE	REV	DESCRIPTION	DATE	APPROVED
	B	REDRAWN	18AUG97	



NOTE: THESE DIMENSIONS ARE MEASURED ALONG THE SURFACE. GALLON MARKS ON ONE SIDE ONLY.



		 PEABODY engineering	
15 GALLON INDUCTOR TANK			
JTP	18AUG97	SIZE A	FSCM NO.
		DWG NO.	REV B
		SCALE 1/12	SHEET