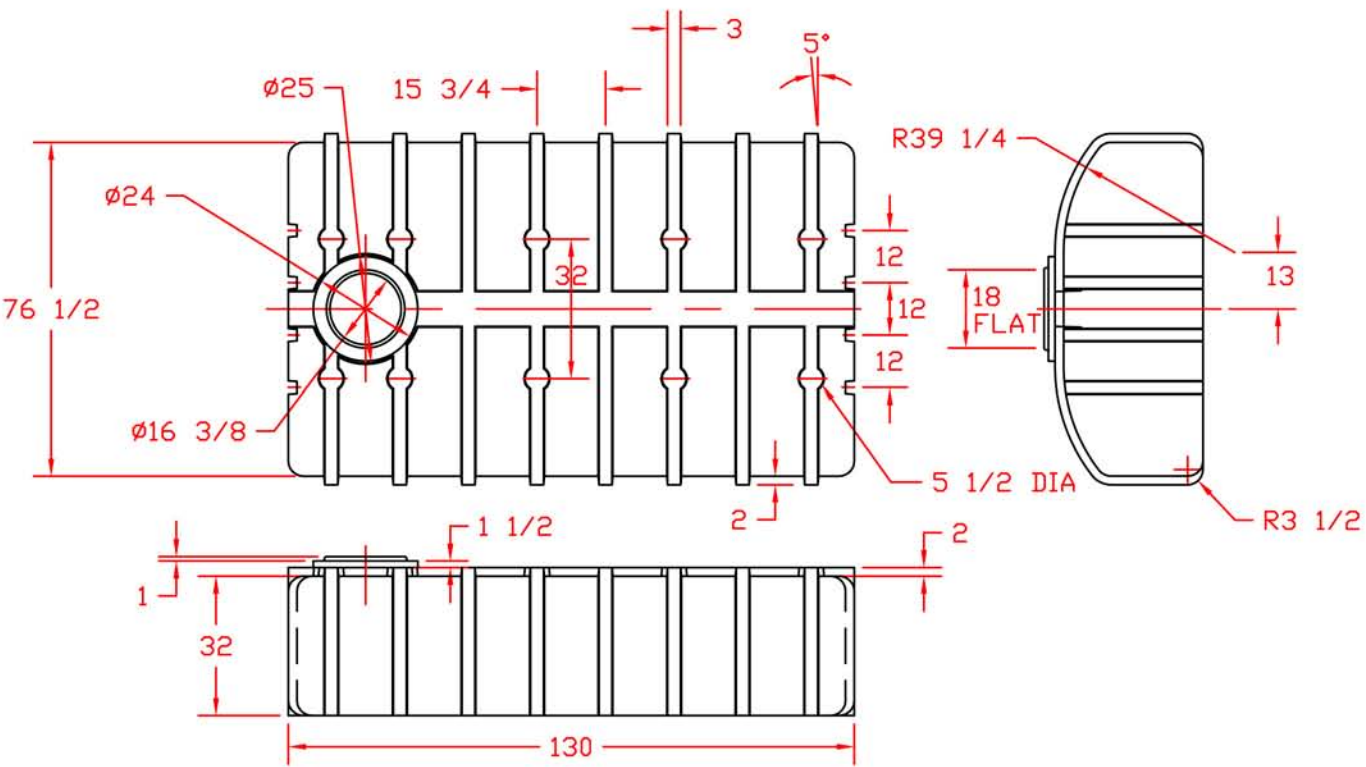



REVISIONS

ZONE	REV	DESCRIPTION	DATE	APPROVED



NOTES:
1. END RIBS 3"W X 2" DEEP

				1250 LOW PROFILE WATER TANK	
JTP	23FEB01	SCALE $1/32$		SHEET	