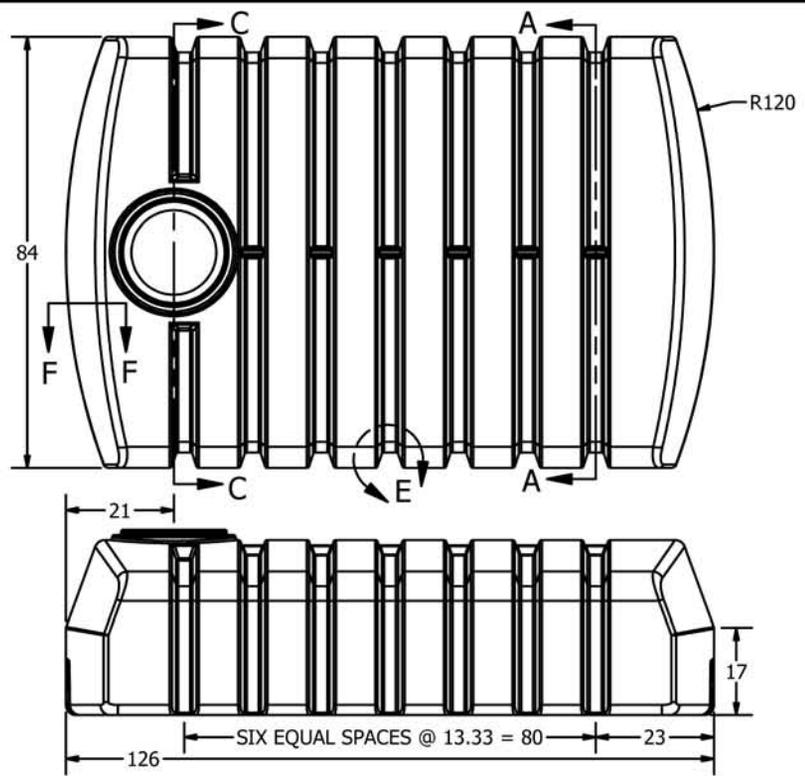
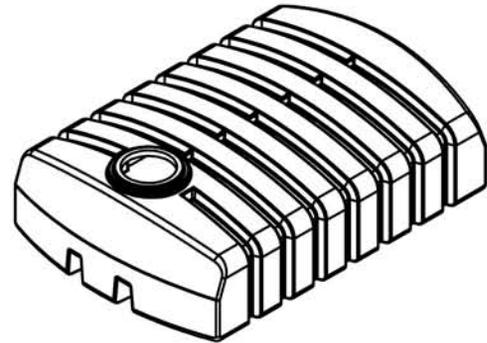
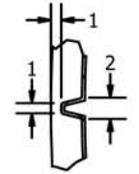
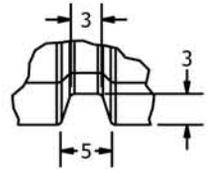


SECTION F-F  
SCALE 1 : 24



SECTION A-A  
SCALE 1 : 24



DRAWN Jerry Paulson	3/23/2009
CHECKED	
QA	
MFG	
APPROVED	



TITLE 1275 GALLON LOW PROFILE WATER TANK		
SIZE B	DWG NO	REV
SCALE: 1/24	SHEET 1 OF 1	