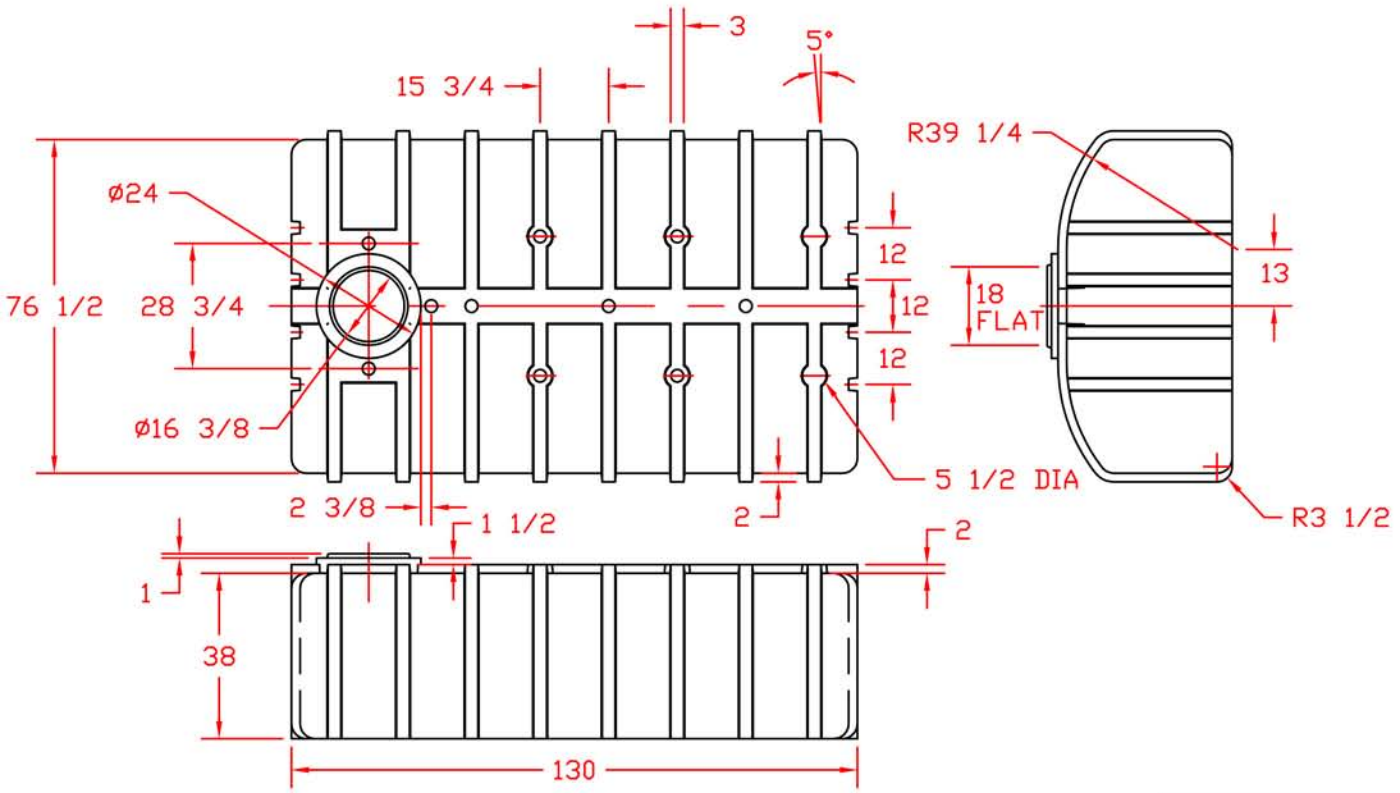



ZONE	REV	DESCRIPTION	DATE	APPROVED



NOTES:
 1. END RIBS 3"W X 2" DEEP

		 PEABODY engineering			
		1500 LOW PROFILE WATER TANK			
JTP	09MAY00	SIZE B	FSCM NO.	DWG NO.	REV
SCALE 1/32		SHEET			