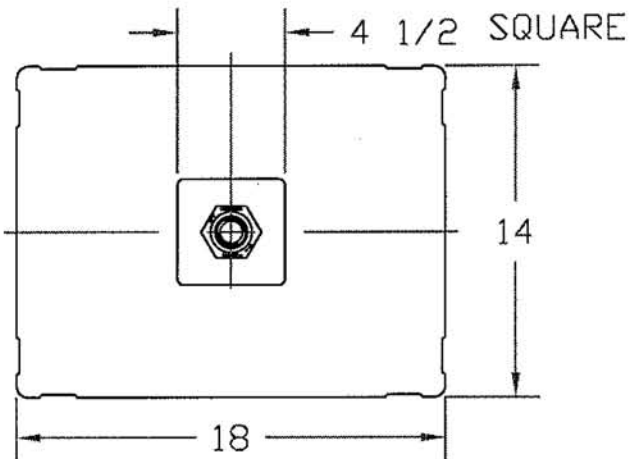
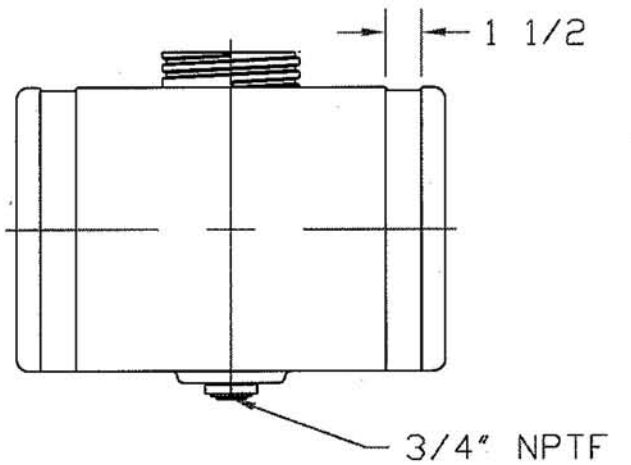
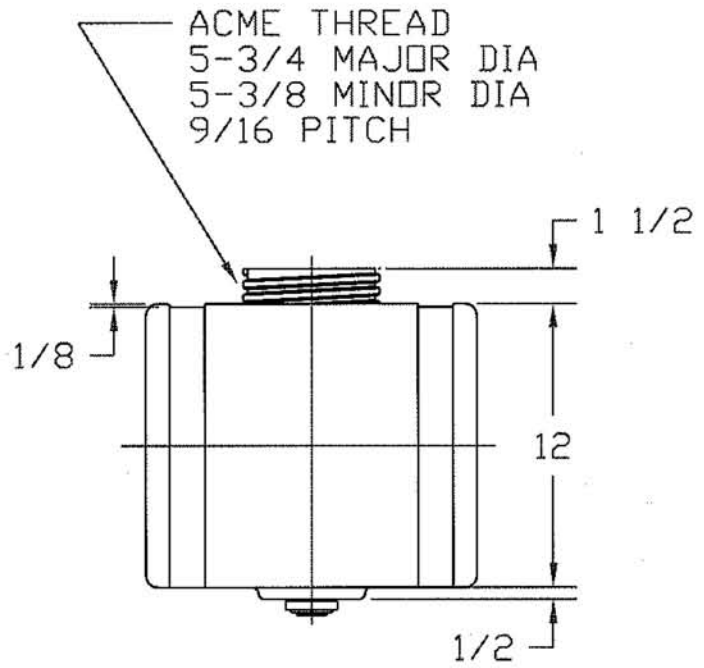



REVISIONS				
ZONE	REV	DESCRIPTION	DATE	APPROVED
	A	REDRAWN	25AUG97	
	B	LID THREAD REVISED	09FEB00	



				
		12 GALLON APPLICATOR TANK		
JTP	25AUG97	SIZE A	FSCM NO.	DWG NO.
		SCALE 1/8		SHEET
				REV B