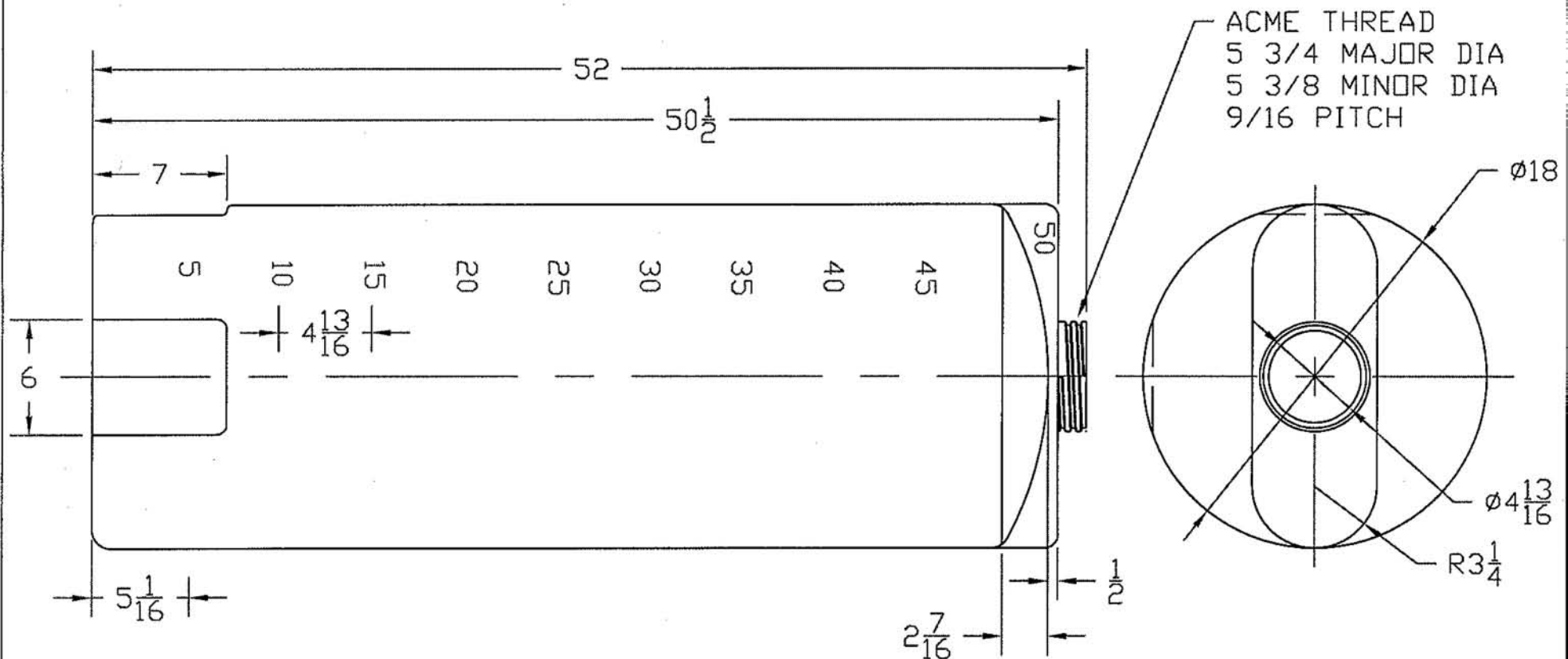



REVISIONS				
ZONE	REV	DESCRIPTION	DATE	APPROVED



		50 GALLON VERTICAL TANK		
		JTP 10JUL03	SIZE A	FSCM NO.
SCALE 1/8		SHEET		