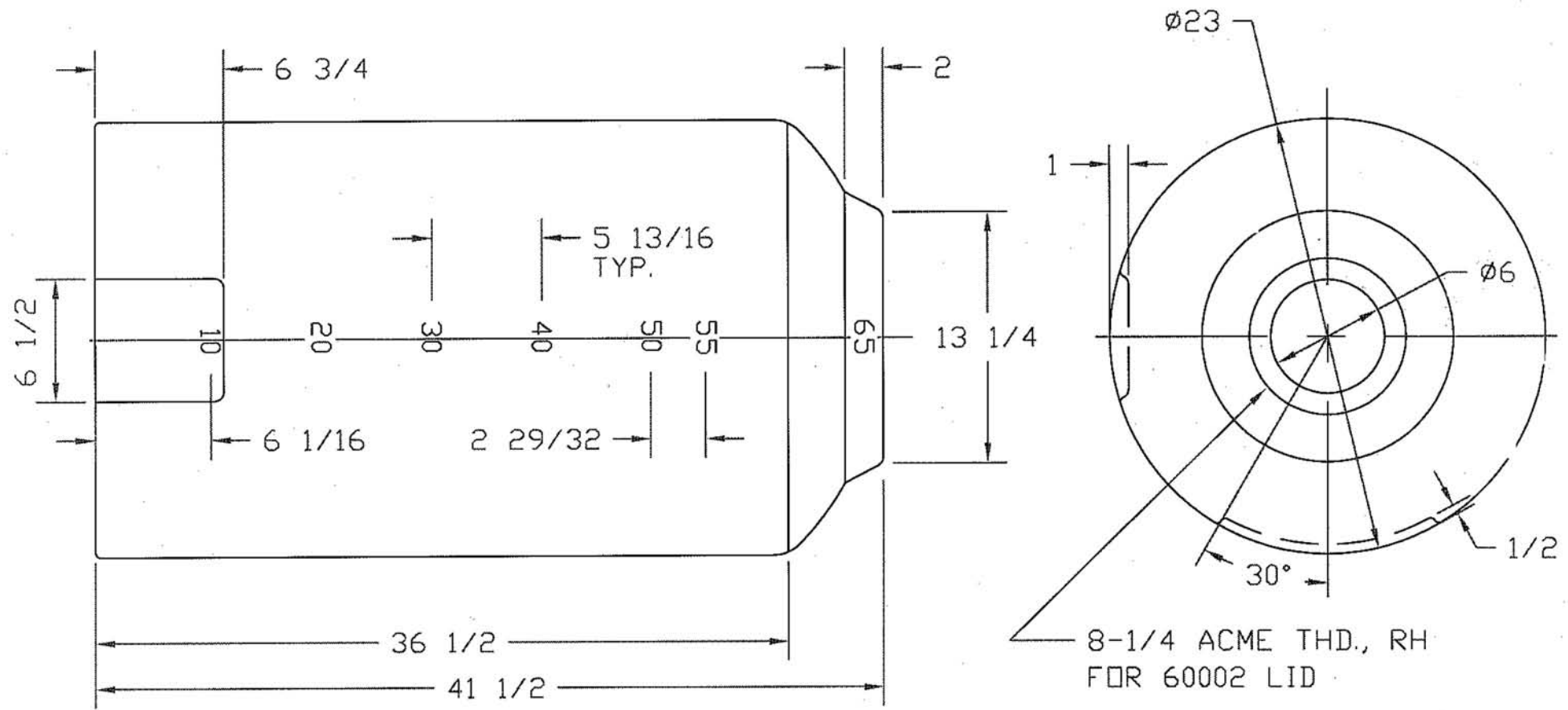


REVISIONS				
ZONE	REV	DESCRIPTION	DATE	APPROVED
	A	REVISED & REDRAWN	8/31/95	



		 <b>PEABODY</b> engineering	
<b>65 GALLON VERTICAL STORAGE TANK</b>			
JTP	31AUG95	SIZE A	FSCM NO.
		DWG NO.	REV A
SCALE 1/8		SHEET	