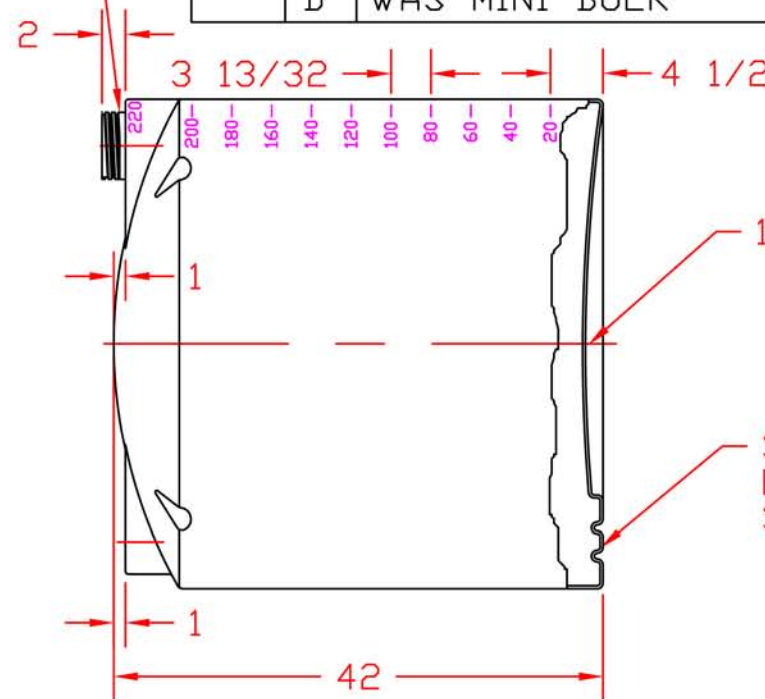
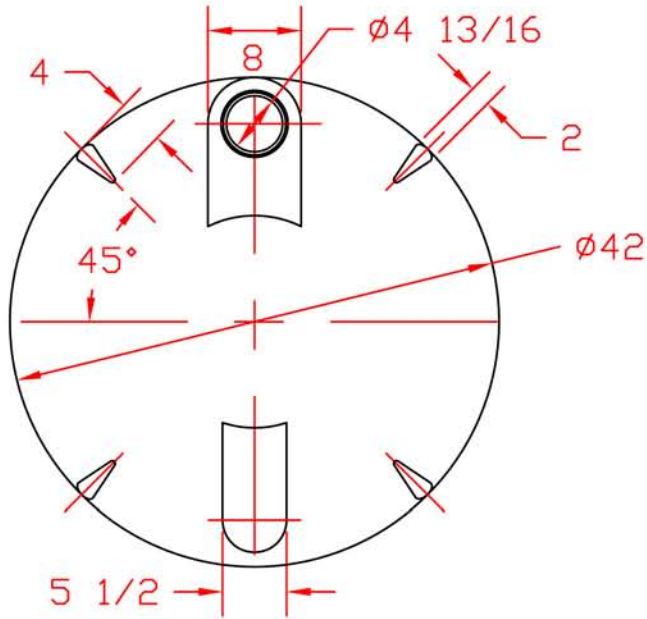


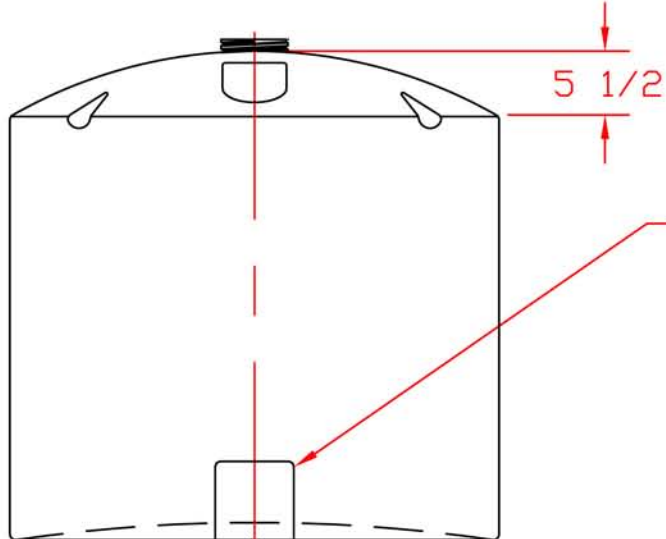
REVISIONS

ZONE	REV	DESCRIPTION	DATE	APPROVED
	B	REDRAWN	13JAN97	
	C	LID THREAD REVISED	09FEB00	
	D	WAS MINI BULK	15AUG11	

ACME THREAD  
 5-3/4 MAJOR DIA  
 5-3/8 MINOR DIA  
 9/16 PITCH



1 1/2 CONCAVE  
 SUMP WITH 4-SEGMENT LOCATOR FOR STANDPIPE



6 3/4 X 6 3/4 FLAT



220 GALLON VERTICAL TANK (D)

JTP	13JAN97	SIZE A	FSCM NO.	DWG NO.	REV D
-----	---------	--------	----------	---------	-------

SCALE 1/16	SHEET
------------	-------