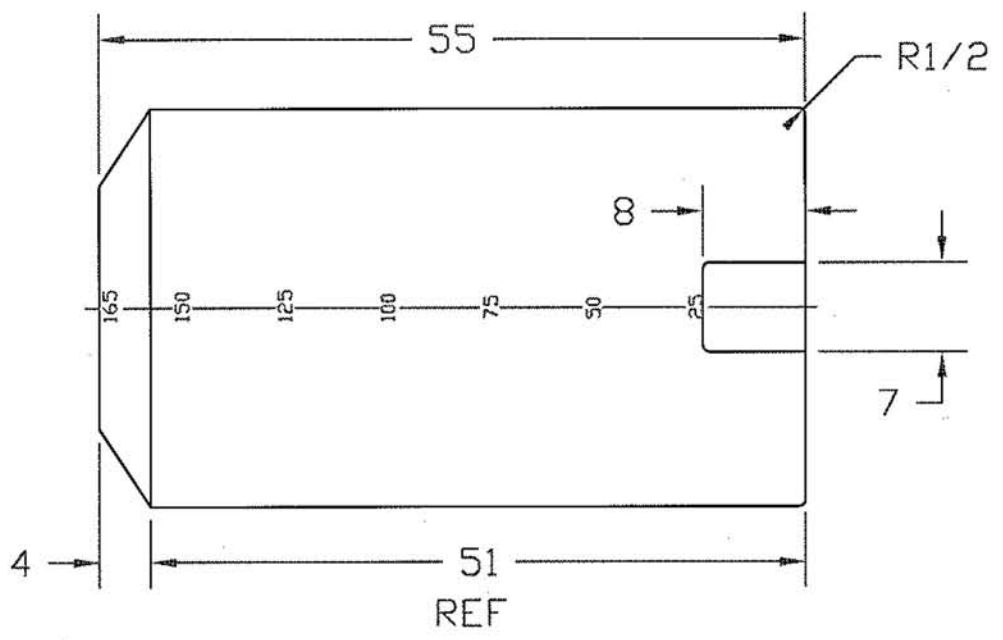
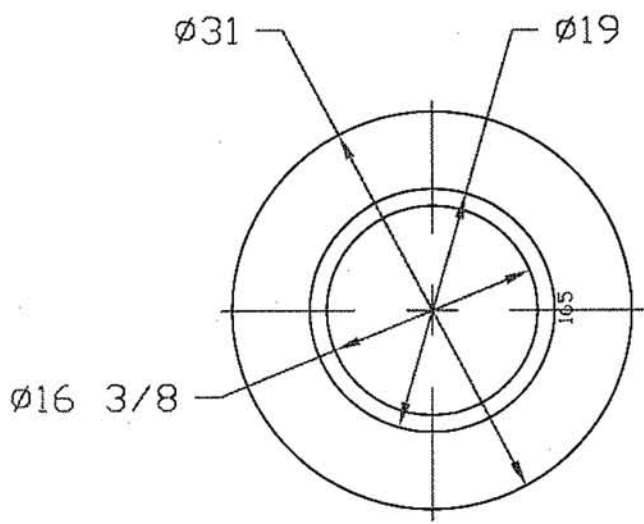



REVISIONS				
ZONE	REV	DESCRIPTION	DATE	APPROVED
	A	REDRAWN	02JAN96	



					
		165 GALLON VERTICAL TANK			
JTP	02JAN97	SIZE A	FSCM NO.	DWG NO.	REV A
		SCALE 1/16			SHEET