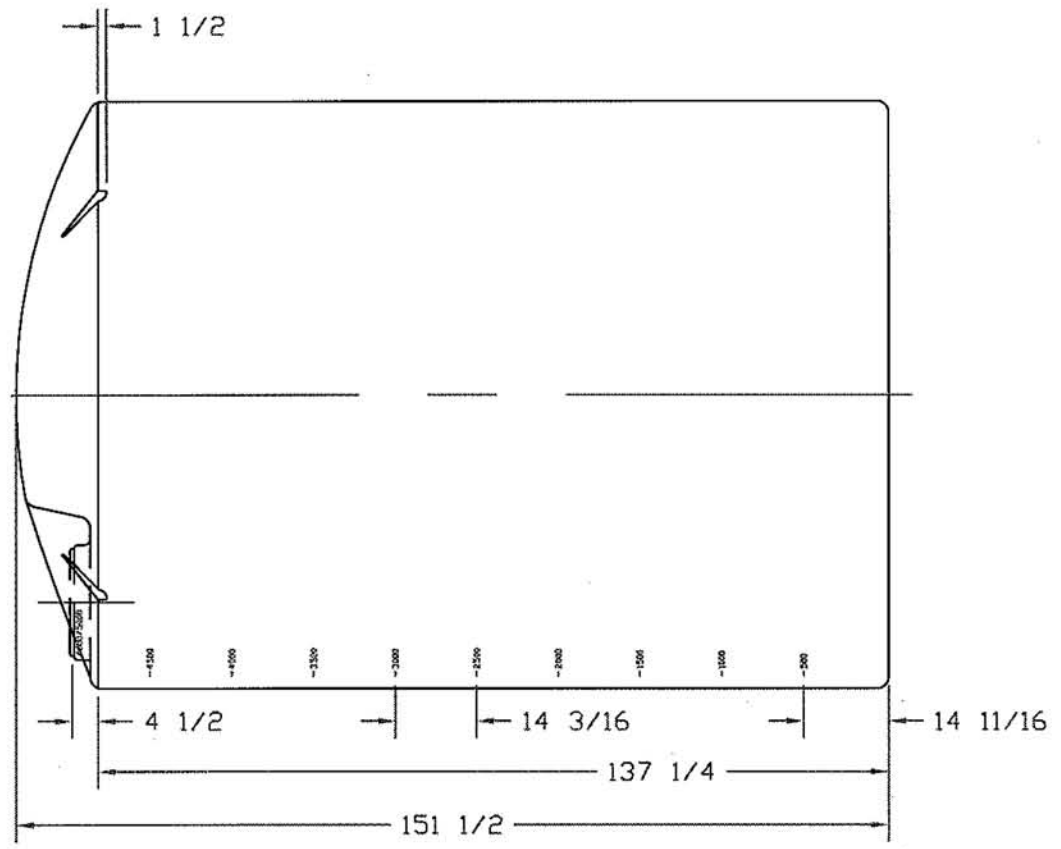
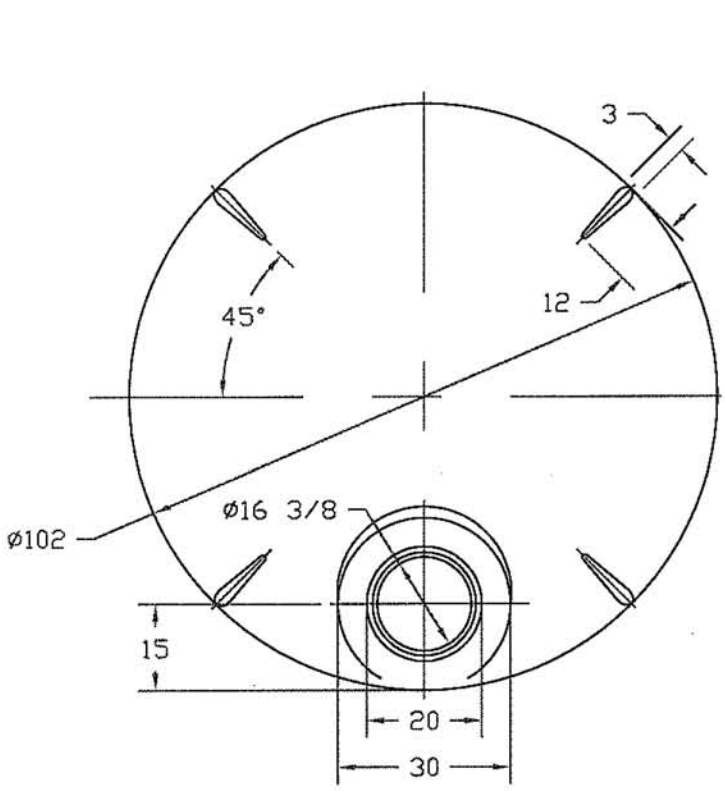



REVISIONS				
ZONE	REV	DESCRIPTION	DATE	APPROVED
	B	REDRAWN	14AUG97	



		 PEABODY engineering	
		5000 GALLON VERTICAL STORAGE TANK	
JTP	14AUG97	SIZE B	FSCM NO.
		DWG NO.	REV B
SCALE 1/24		SHEET	